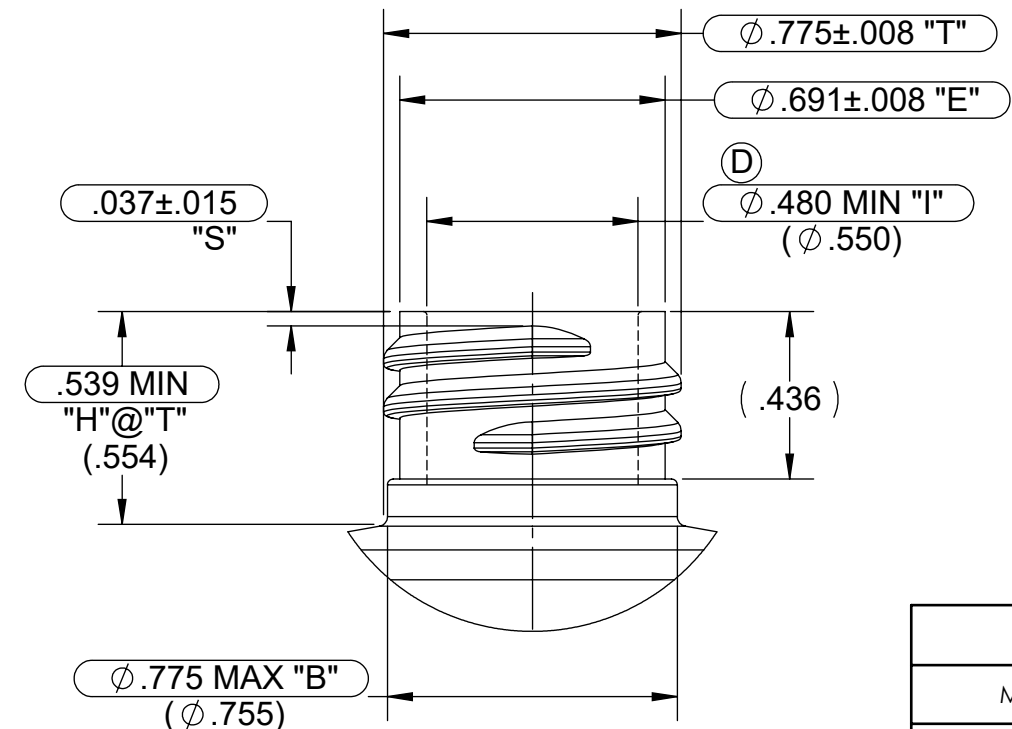
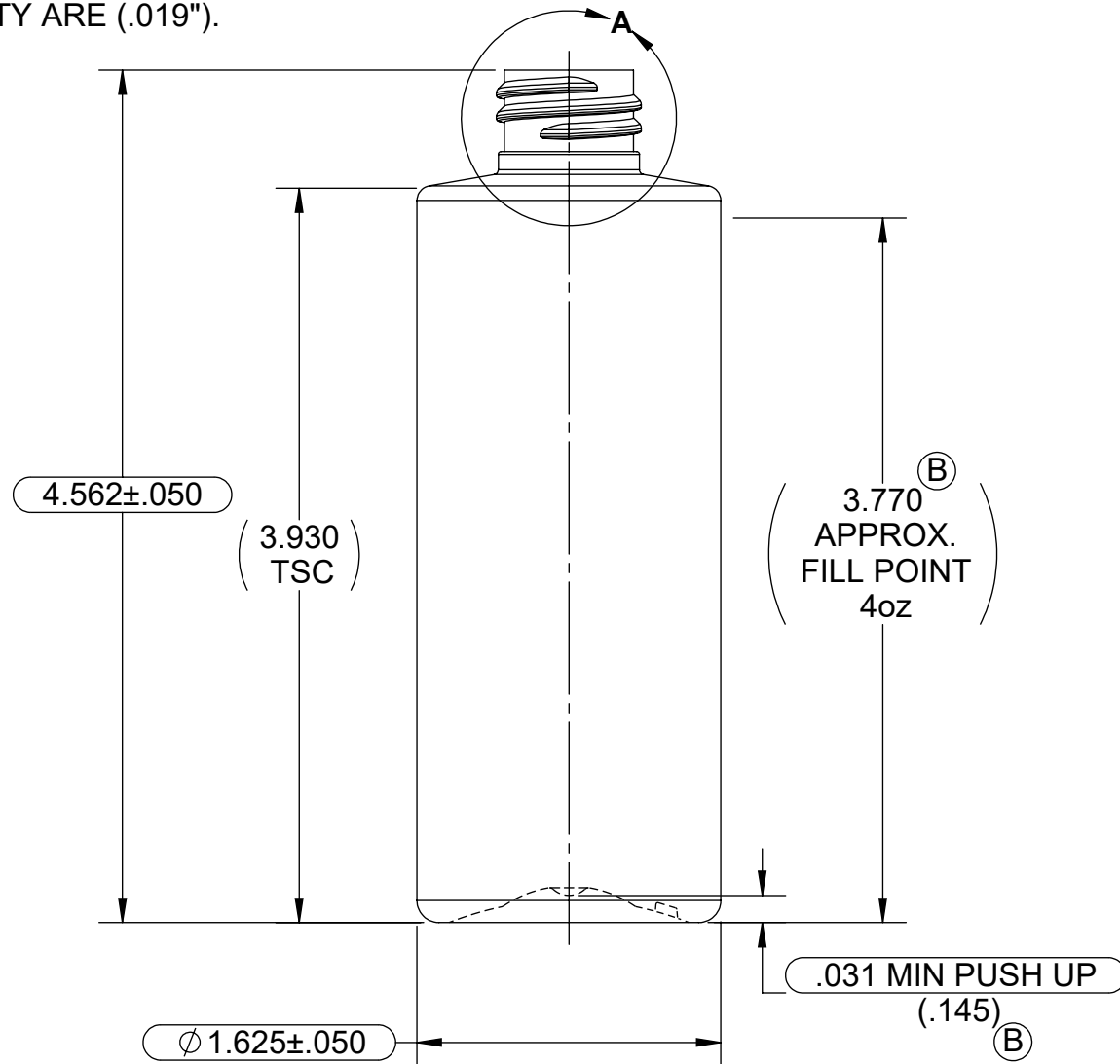


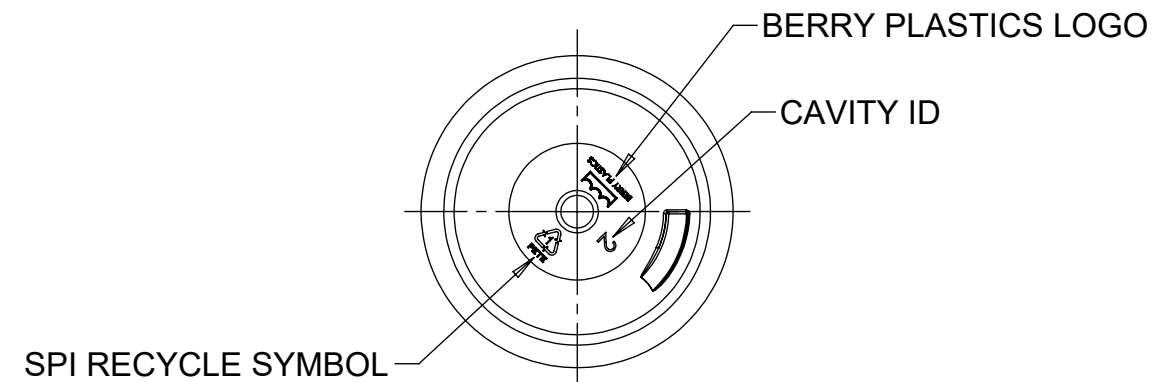
# PRODUCTION RELEASE

ALL NECK FINISH DIAMETER DIMENSIONS ARE THE AVERAGE OF THE TWO MEASUREMENTS TAKEN ACROSS THE MAJOR AND MINOR AXIS. THE LIMITS OF OVALITY ARE (.019").

©



DETAIL A  
SCALE 2 : 1



LET	REVISION DESCRIPTION	BY	ECN #	DATE
A	RELEASED TO WINDCHILL	RL	60100107	2/2/2010
B	REVISED PUSHUP TO REFLECT UNIT TOOL.(.145) WAS (.129), 3.770 WAS 3.757	RL	60100184	2/22/2010
C	15.50 GMS WAS 14.00 GMS, ADDED LIMITS OF OVALITY NOTE.	RL	60100184-1	12/8/2010
D	φ .480 MIN "I" WAS φ .542 MIN "I"	RL	60100184-2	6/6/2011
E	DRAWING RELEASED FOR PRODUCTION	RL	60100184-3	6/21/2011
F	UPDATE TO BERRY GLOBAL TITLE BLOCK TEMPLATE AND STANDARD	LMJ	RTC220096	6/9/2022

## MOLD # 7028

PART DATA	
MATERIAL	PET
NECK FINISH	M20SP410 SPECIAL 8 T.P.I
WEIGHT	(15.5g ± 0.75g)
OVERFLOW CAPACITY	(127ml ± 5ml)

REFERENCE DIMENSIONS ARE NOT INSPECTED AND NO TOLERANCE APPLIED      INSPECTION DIMENSIONS ARE VERIFIED WITH TOLERANCE

THIS DRAWING IS NOT A CONTROLLED DOCUMENT IF PRINTED OR COPIED FROM THE APPROVED LOCATION

**Berry**  
101 OAKLEY STREET  
EVANSVILLE,  
INDIANA 47706  
TEL. (812) 424-2904

**CONFIDENTIAL**  
THIS UNPUBLISHED WORK IS THE PROPERTY OF BERRY GLOBAL INC. AND IS PROTECTED BY TRADE SECRET, COPYRIGHT AND OTHER INTELLECTUAL PROPERTY LAWS AND MAY ALSO BE SUBJECT TO A SPECIFIC OR GENERAL CONFIDENTIALITY AGREEMENT. IT IS NOT TO BE VIEWED BY UNAUTHORIZED PERSONS OR DUPLICATED IN ANY MEDIUM FOR PURPOSES OTHER THAN THOSE FOR WHICH IT IS SPECIFICALLY FURNISHED.

SIZE AND STYLE	<b>B20CR4T</b>	DRAWING TYPE:	<b>CUSTOMER</b>
DESCRIPTION:	4oz Cylinder		
DRAWING NO:	CP-100063-PRT01	PROJECT NUMBER:	100063
LAST MODIFIED BY AND DATE:	CREATED BY:	CREATION DATE:	DRAWING REVISION: SHEET
kkoring - 9/6/2022 3:27:51 PM	R.Lika	2/10/2002	F 1 of 1
		SCALE:	SHEET SIZE
		1:2	B

3

2

1

3

2

1