

SMOOTH TOPS & SIDES

38-400-85 S



Specifications:

DIAMETER 38 mm
THREAD PROFILE 400
NECK FINISH 38-400
CLOSURE TOP Smooth
CLOSURE SIDEWALL Smooth
MATERIAL PP

PACKAGING & FREIGHT INFORMATION

PACK TYPE	PCS/CTN	CTNS/PALT	PCS/PALT	CTN WT*	PALT WT*	FRT CLASS
Bulk	3,750	15	56,250	26 ⁽¹⁾	398 ⁽¹⁾	100 ⁽¹⁾
Bulk	3,750	15	56,250	29 ⁽²⁾	440 ⁽²⁾	100 ⁽²⁾
CARTON DIMENSIONS: 24 x 16 x 15			PALLET DIMENSIONS: 48 x 40 x 50			

(1) Unlined Closures (2) Lined Closures *Approximate

MARKETS

Nutraceuticals, Personal Care & Cosmetics, and Pharmaceuticals.

OPTIONS

Available in white, standard colors and custom colors. Can be lined with a wide variety of liner systems including SureSeal (foam), pressure sensitive and heat induction (foil) liners.

CLOSURE BENEFITS

- Smooth top and sides lend a “clean” look to the package
- Popular for vitamins and nutraceuticals
- Popular for cosmetics



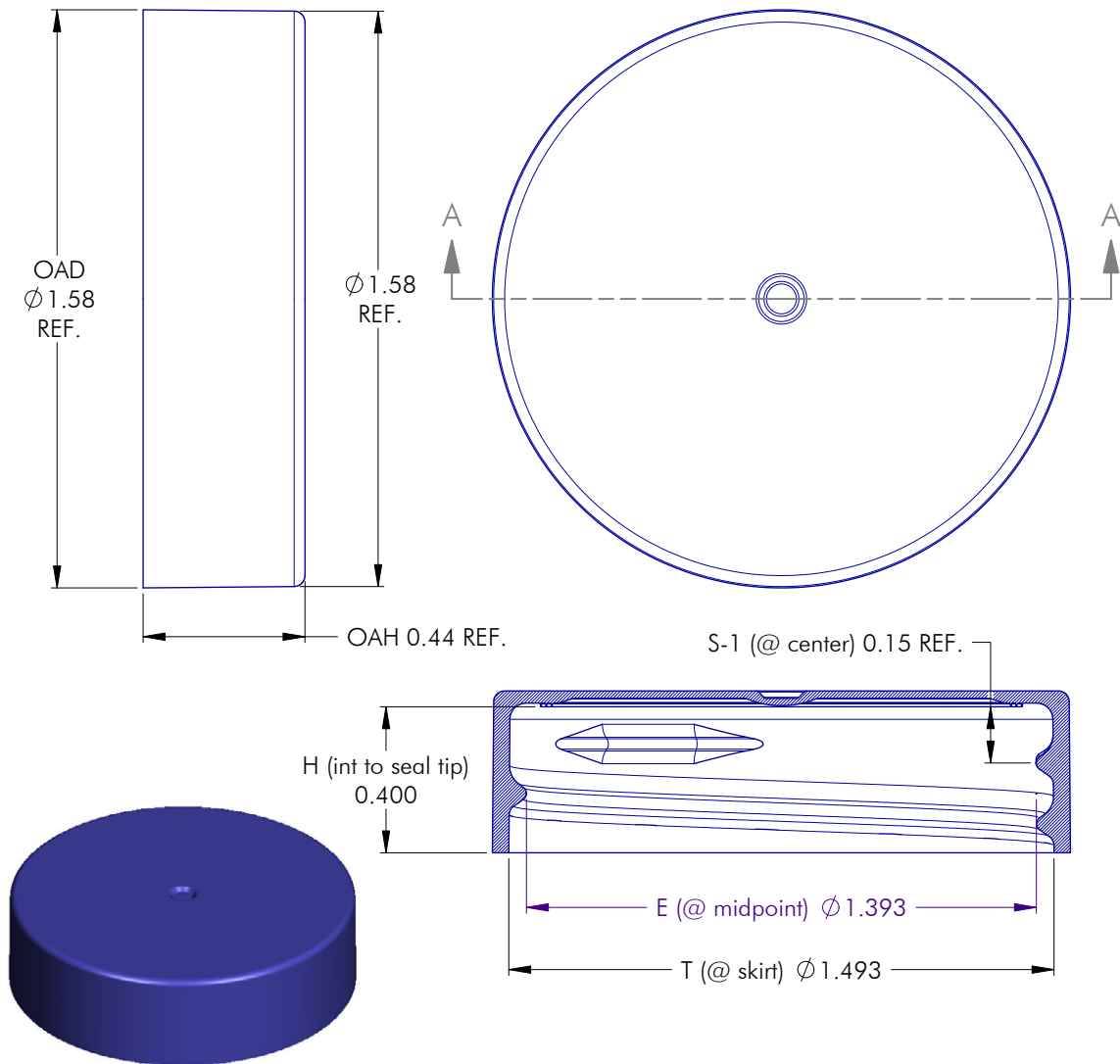
PHOENIX™

PHXPKG.COM

P 630 420 4750 E greatpkg@phxpkg.com
1899 High Grove Lane Naperville, IL 60540

SMOOTH TOPS & SIDES

38-400-85 S



NOTES: (UNLESS OTHERWISE SPECIFIED)		5 09.02.14 Redefine Reference Dimensions			DN	
1. ALL DIMENSIONS ARE IN INCHES.		REV	DATE	DESCRIPTION	BY	
2. SEE CHART FOR DIMENSIONAL TOLERANCE.						
THIS OR FACSIMILE THEREOF IS THE EXCLUSIVE PROPERTY OF PHOENIX AND MAY NOT BE REPRODUCED WITHOUT THE EXPRESSED WRITTEN CONSENT OF PHOENIX. SOME OR ALL OF THE ITEMS DEPICTED ON THIS DRAWING MAY BE COVERED BY CURRENT PATENTS OR PATENTS APPLIED FOR BY PHOENIX.		TOLERANCE	PITCH/TPI .167 / 6	TURNS 1-3/16	MAT'L PP	
		.X ± 0.1	DRAWN BEZ	DATE 07.07.05	SCALE 5 : 2	
		.XX ± 0.02	38 - 400 - 85 S			REV
		.XXX ± 0.010				5



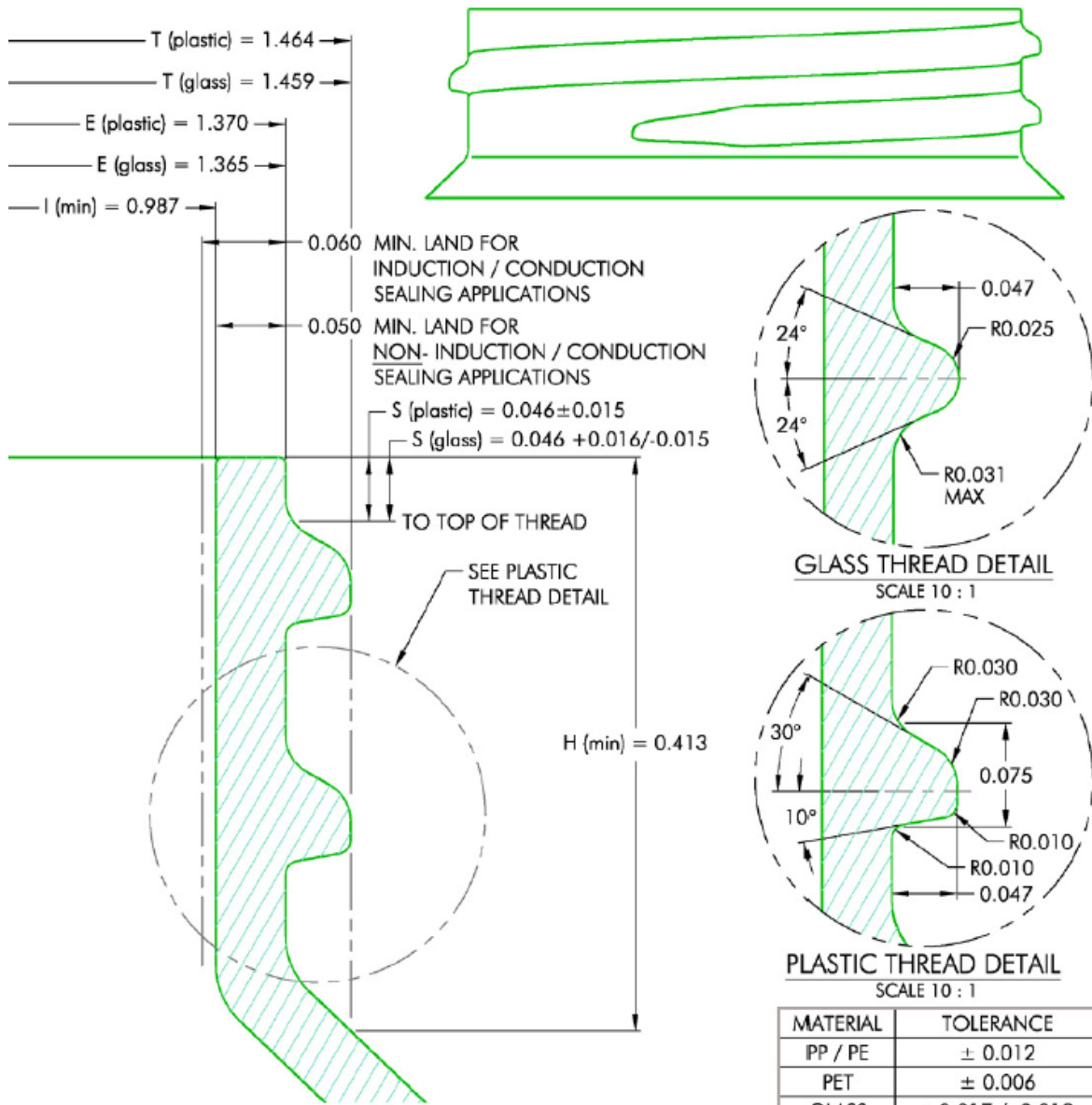
PHOENIXTM

PHXPKG.COM

P 630 420 4750 E greatpkg@phxpkg.com
1899 High Grove Lane Naperville, IL 60540

SMOOTH TOPS & SIDES

38-400-85 S



NOTES: (UNLESS OTHERWISE SPECIFIED)

1. ALL DIMENSIONS ARE IN INCHES.
2. SEE CHART FOR DIMENSIONAL TOLERANCE.

THIS OR FACSIMILE THEREOF IS THE EXCLUSIVE PROPERTY OF PHOENIX AND MAY NOT BE REPRODUCED WITHOUT THE EXPRESSED WRITTEN CONSENT OF PHOENIX. SOME OR ALL OF THE ITEMS DEPICTED ON THIS DRAWING MAY BE COVERED BY CURRENT PATENTS OR PATENTS APPLIED FOR BY PHOENIX.

BF	05.21.18	Released	DN
REV	DATE	DESCRIPTION	BY
TOLERANCE	PITCH/TPI	.167 / 6	TURNS 1-1/4
.X	± 0.1	DRAWN BEZ	DATE 08.31.93
.XX	± 0.02	SCALE	10 : 1
.XXX	± 0.010	38 - 400 - FINISH	
			REV 0



PHOENIX™

PHXPKG.COM

P 630 420 4750 E greatpkg@phxpkg.com
 1899 High Grove Lane Naperville, IL 60540