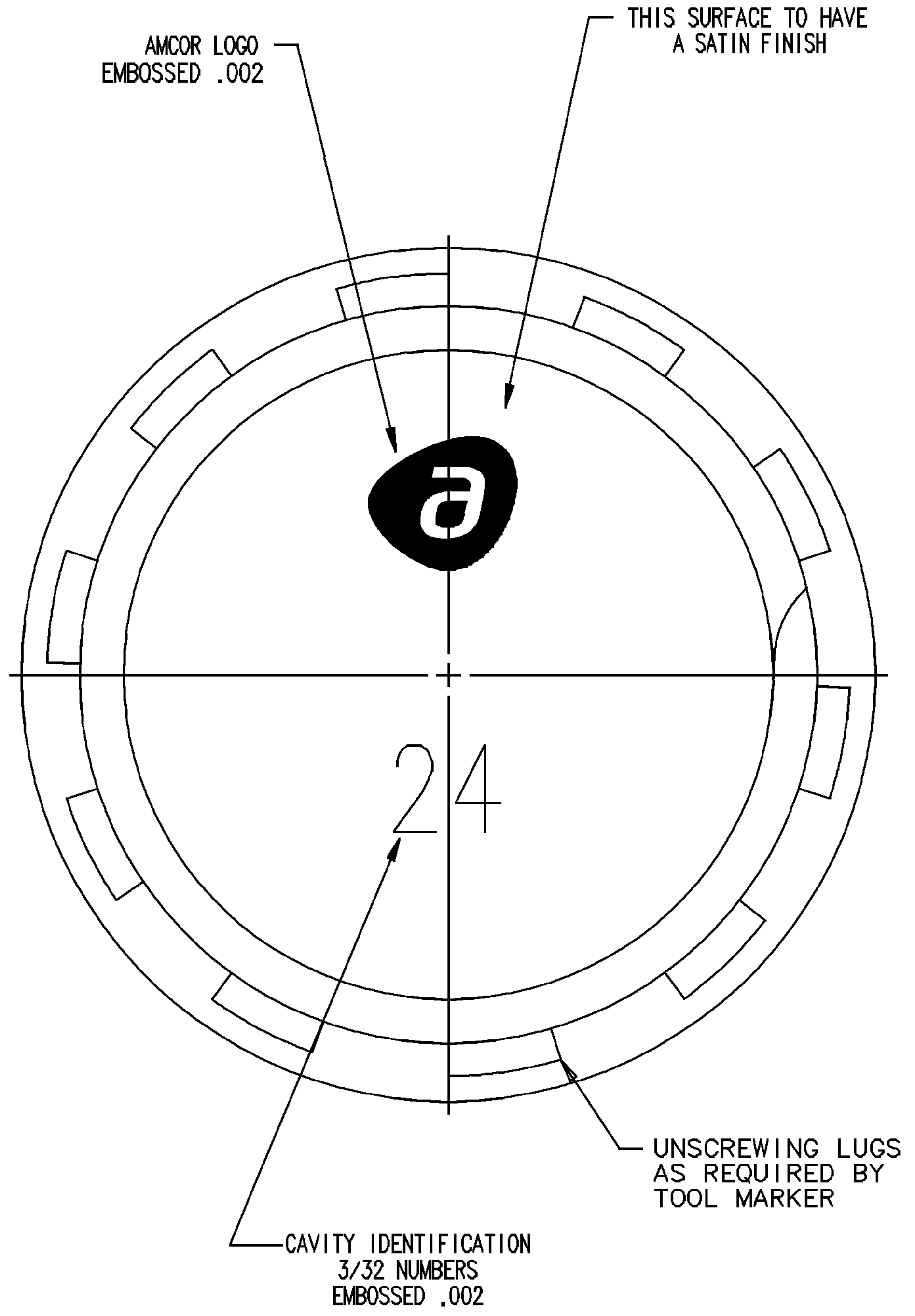
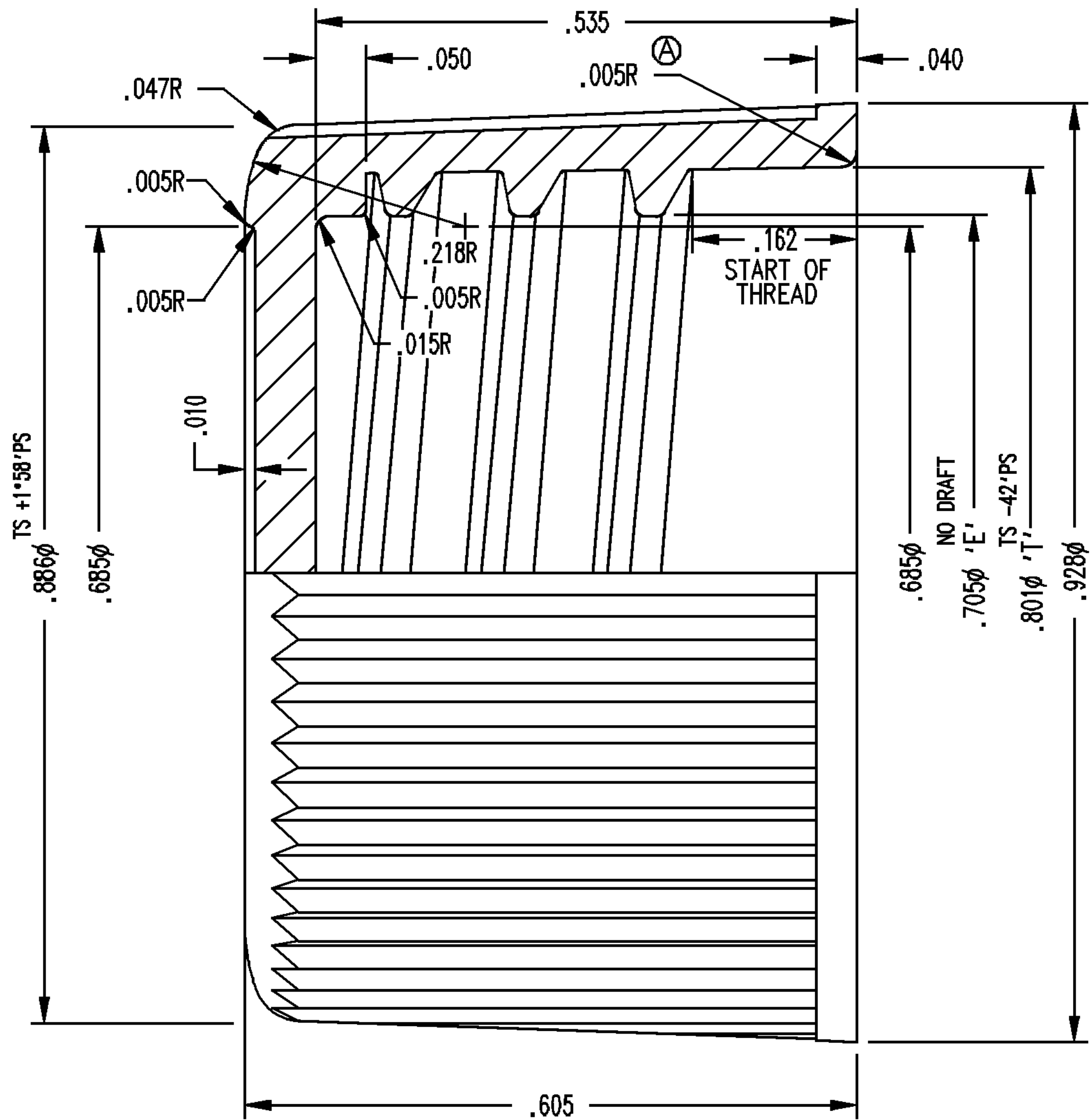
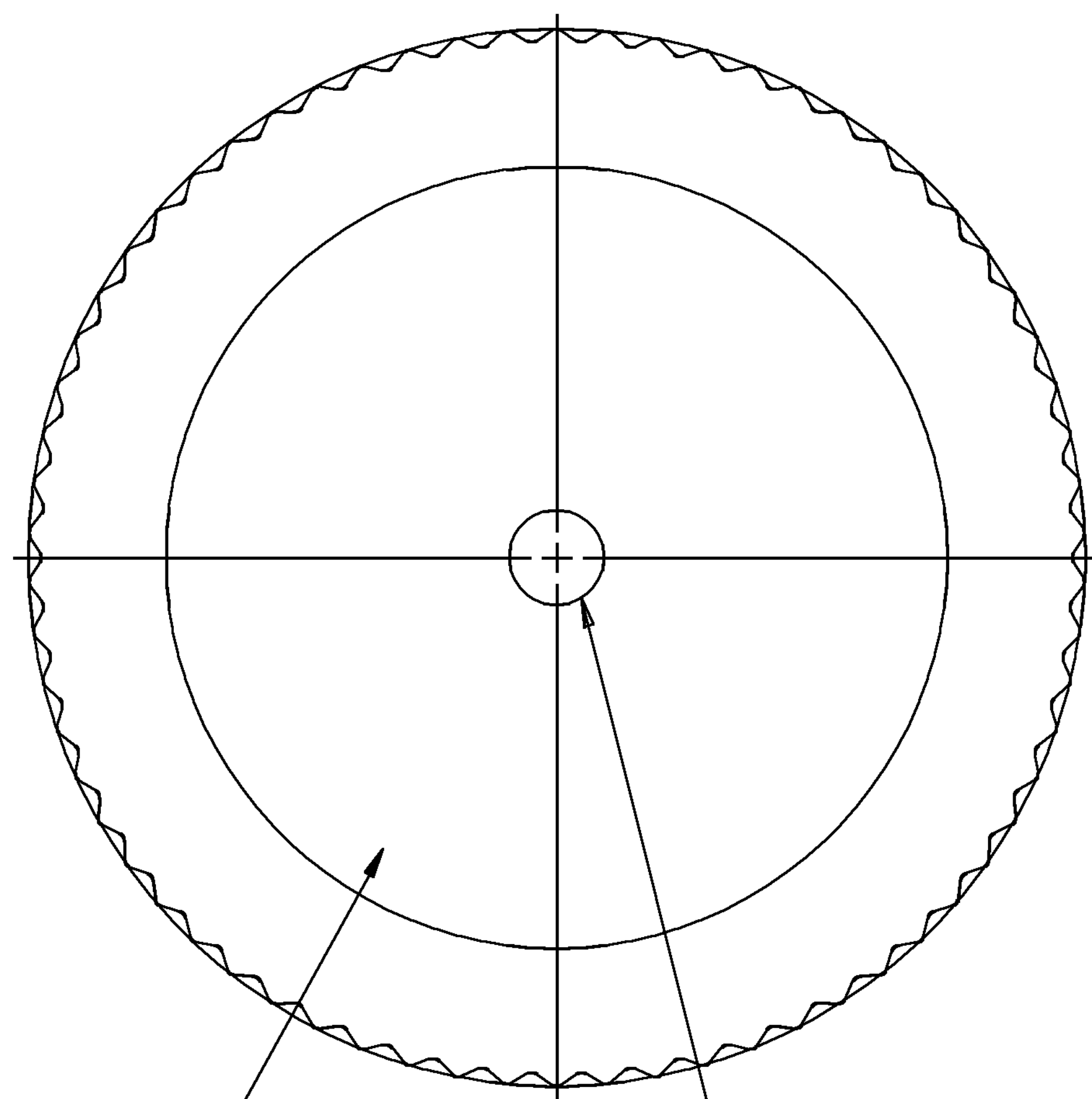
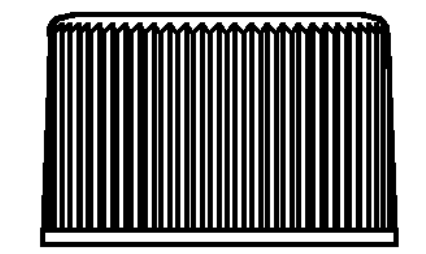
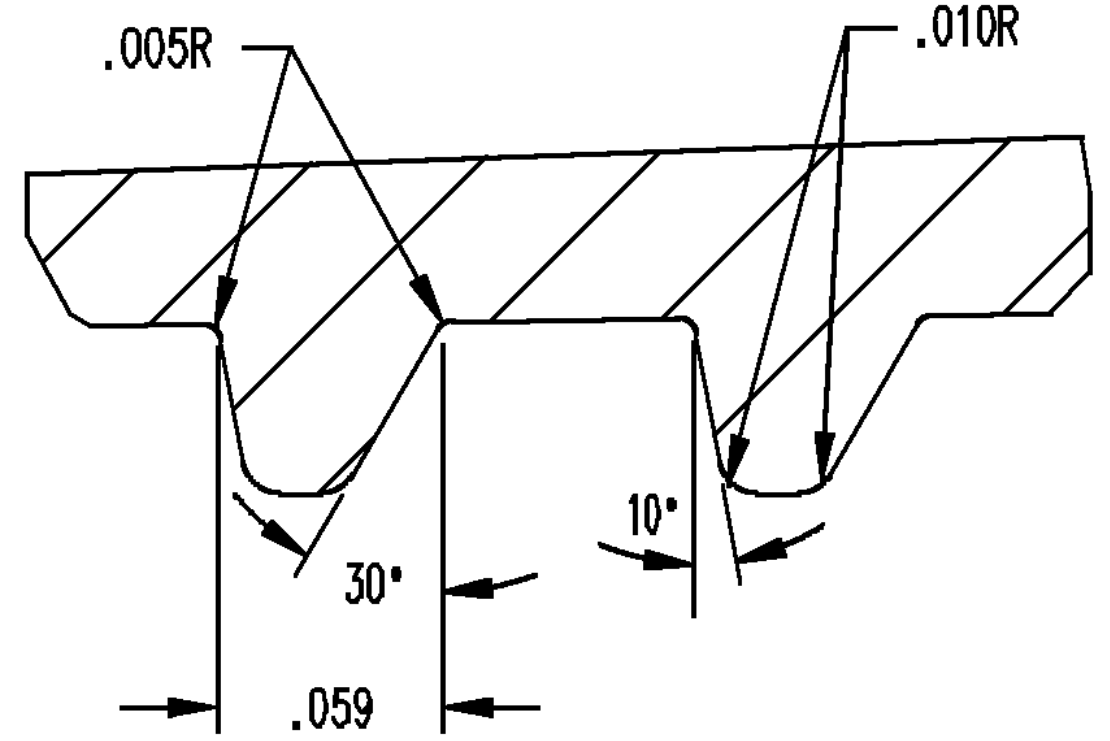
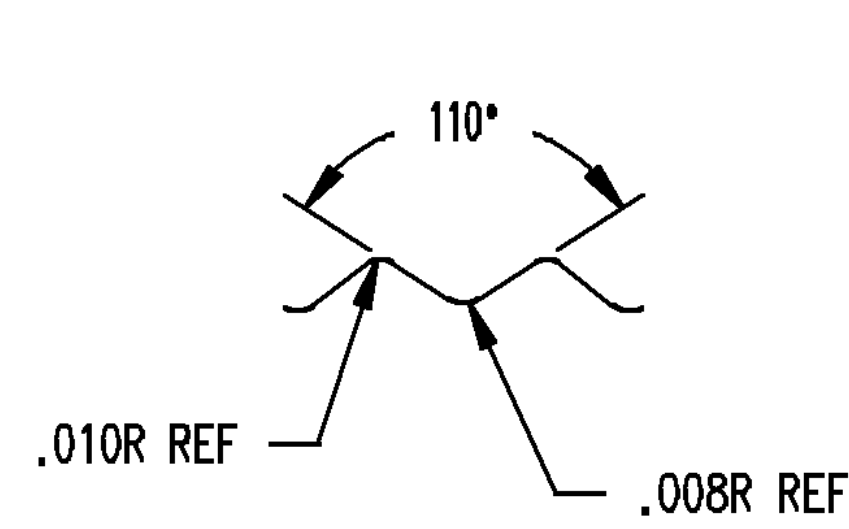


REF.	DESCRIPTION	BY/DATE
A	R.005 WAS R.015 UPDATED TITLE BLOCK	D.D. 10-16-10



- NOTE :
- 1) TOLERANCES APPLY TO THE AVERAGE OF TWO MEASUREMENTS TAKEN 90° APART ON DIAMETERS
 - 2) ALL DIMENSIONS APPLY AS MOLDED.
 - 3) THIS CLOSURE WILL FIT EITHER GPI OR SPI FINISHES
 - 4) THIS CLOSURE WILL BE LINED PER CUSTOMER SPEC
 - 5) ESTIMATED WEIGHT: 1.82 GRAMS
 - 6) REFERENCE #15008

Amcor Pharmaceutical Packaging USA, Inc		TITLE: 20-410 CLOSURE - FIN RIB - LINED	
625 Sharp Street Millville, NJ 08332, USA		CUSTOMER: STOCK	
MATERIAL: POLYPROPYLENE		DRAWN BY: D.D.	
DATE: 7-1-10		CHECKED BY: DFY	
PROJECT No.		SCALE: 5x1	
DWG: B-12726		REV. A	

DIMENSIONS ARE IN INCHES [MILLIMETERS]
TOLERANCES UNLESS OTHERWISE SPECIFIED:
DECIMALS ±0.008

This confidential drawing has been furnished by Amcor Pharmaceuticals. The information and technology thereon may not be used nor the drawing reproduced without the expressed written consent of Amcor Pharmaceuticals.



Freshness and Protection
for Today's Packaging

FoilSeal™ Technical Data Sheet

.020" Pulp FS 5-8

Revision: FS58-08192011

Product	.020" Pulp FS 5-8																				
Scope	Two piece pulp backed heat induction foil inner seal which will provide a tamper-evident bond to PE, PS, PET, PVC, PP and treated glass containers. It is recommended for liquid products and is an alternative to FS 5-4.																				
Composition	<table border="1"> <thead> <tr> <th>Material</th> <th>Standard</th> <th>Metric</th> </tr> </thead> <tbody> <tr> <td>Pulp</td> <td>.020"</td> <td>.508 mm</td> </tr> <tr> <td>Wax</td> <td>-</td> <td>-</td> </tr> <tr> <td>Paper</td> <td>.002"</td> <td>.0508 mm</td> </tr> <tr> <td>Foil</td> <td>.0003"</td> <td>.0076 mm</td> </tr> <tr> <td>Heat Seal</td> <td>.0015"</td> <td>.0381 mm</td> </tr> </tbody> </table>	Material	Standard	Metric	Pulp	.020"	.508 mm	Wax	-	-	Paper	.002"	.0508 mm	Foil	.0003"	.0076 mm	Heat Seal	.0015"	.0381 mm		
Material	Standard	Metric																			
Pulp	.020"	.508 mm																			
Wax	-	-																			
Paper	.002"	.0508 mm																			
Foil	.0003"	.0076 mm																			
Heat Seal	.0015"	.0381 mm																			
Composition does not include adhesive, resin or wax bonding layers (if any).																					
FDA Status: 21 CFR 177.1210	Recommended Storage and Handling: Refer to Website.																				
Drug Master File (DFM): #4544	EU / EP Reg.: Does not meet Article 3a of Reg. No. 2023/2006 and Article 3 of Reg. No. 1935/2004																				
GTR Oxygen: Essentially Zero	MVTR: Essentially Zero																				
Sealing to glass containers: Selig can not guarantee the performance or seal integrity of this materials when applied to any glass (treated or untreated) container. We suggest you contact your glass supplier for recommendations on glass treatments that may or may not improve performance or seal integrity.																					
Print Location (if any): Heat Seal Layer and/or Backing																					

Selig materials are compliant with current USFDA Food allergen Guidelines.

Selig materials are compliant with California Proposition 65 labeling requirements.

Selig materials are compliant with limitation of heavy metals in packaging per CONEG & EU 94/62/EC, article 11.

Recommended for use with dry food products. Is not suitable for use with fatty or alcoholic food types per ECC Reg. № 10/2011. Determining specific organoleptic compatibility per Article 3a of ECC Reg. № 2023/2006 is the responsibility of the food packager.

MSDS's are not required as Selig is not a chemical manufacturer or distributor and our products are 'articles' intended for food packaging per 29 CFR 1910.1200 (HazCom).

The information contained within this product data bulletin is to be used as a general guide in determining which structures are offered for sealing to specific container materials. All of the information which we provide is reliable to the best of our knowledge, but the accuracy thereof is not guaranteed. We suggest that consumers determine suitability for their own application.

www.seligsealing.com

Corporate Headquarters
Selig Sealing Products, Inc.
342 E Wabash St
Forrest, IL 61741, USA
Phone: +1 (815) 785-2100
Fax: +1 (815) 657-7584

North American Sales
Selig Sealing Products, Inc.
184 Shuman Blvd., Suite 310
Naperville, IL 60563, USA
Phone: +1 (630) 922-3158
Fax: +1 (630) 922-8469

European Sales and Manufacturing
Selig UK, LTD 635-637 Ajax Avenue
Slough Trading Estate
Slough Berkshire SL14BH UK
Phone: +44 (0) 1753 773 000
Fax: +44 (0) 1753 773 111

Canadian Manufacturing
Selig Canada, ULC
145 Edward Street
Aurora, Ontario Canada, L4G 1W3
Phone: +1 (905) 727-0114
Fax: +1 (905) 727-8544

Swiss Manufacturing
Selig Switzerland LTD
Bahnhofstrasse 11
CH-8172 Niederglatt
Phone: +41 (0) 44 851 50 50
Fax: +41 (0) 44 851 50 51