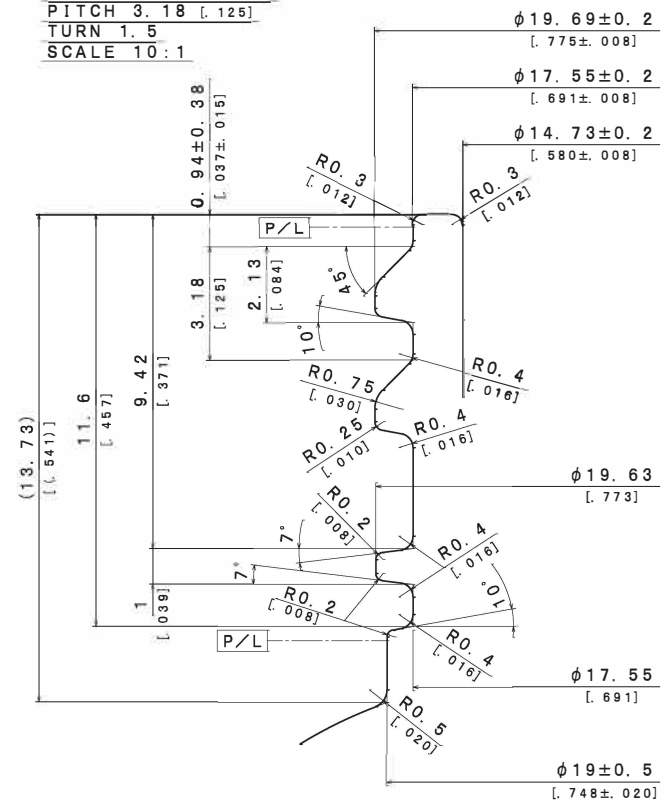


DETAIL OF THREAD
 PITCH 3.18 [.125]
 TURN 1.5
 SCALE 10:1



Material:		PET		REVISIONS	
Neck Finish:		20-410			
Overflow Capacity:		62.4±2mL (2.110 ±.068fl oz)			
Scale:	1:1	Drawn By:	MH	Date:	09-18-2020
Dwg Rev:		Min Thk:	Weight:	Color:	Std Pack:
A		.25mm	8.3 ± 1.0	All Colors	1120/Tumble
		.25mm	9.3 ± 1.0	All Colors	1120/Tumble

Disclaimer
 assumes no responsibility for form, fit, and function of closures, accessories, and/or shelf life and compatibility of intended contents with this bottle.

Proprietary and Confidential
 The information contained in this drawing is confidential. Any reproduction in part or as a whole without the written permission of [redacted] is prohibited.

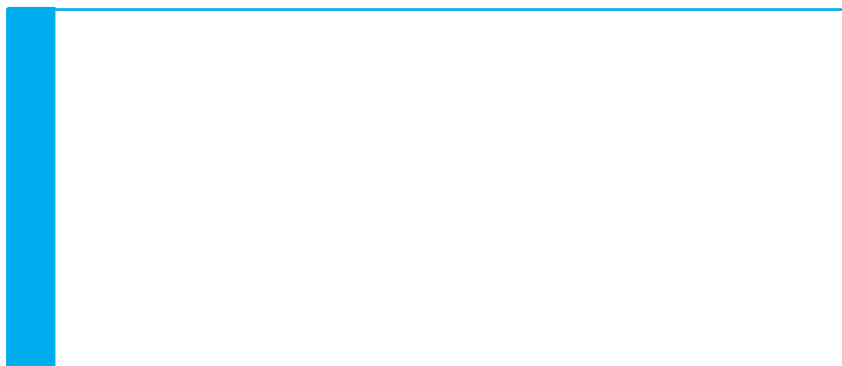
2oz Boston Round 20-410
 Approved By: JSH
 Drawing NO: AM-19401-00

All measurements are in millimeters/inches

Print Template

NOTE FOR DESIGNERS: This template is scaled at 100%, and represents a possible print shape and size that could fit this item. We highly recommend you order a sample, print your artwork to scale, cut it out, and confirm proper fit prior to submitting your artwork for print. All critical text and design elements should remain within the design clearance line.

Size: 4.375 x 1.875*



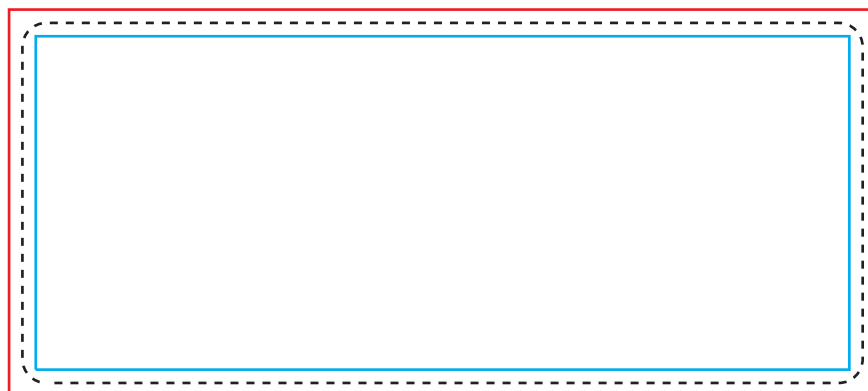
* Size represents the maximum recommended print area. It is the customer's responsibility to conduct proper compatibility testing with the container listed

Label Template

NOTE FOR DESIGNERS: This template is scaled at 100%, and represents a possible label shape and size that could fit this item. We highly recommend you order a sample, print your artwork to scale, cut it out, and confirm proper fit prior to submitting your artwork for print. The **bleed line** allows the background artwork to extend beyond the trim line. This ensures a clean print all the way to the edge when the label is trimmed. The trim line is where the label is cut. This is the maximum recommended label size. All critical text and design elements should remain within the design clearance line.

- Bleed line
- - - - - Trim line / Die line
- Design clearance line

Size: 4.375 x 1.875*



* Please check with your Packaging Consultant or personal print vendor to make sure this die size is available.