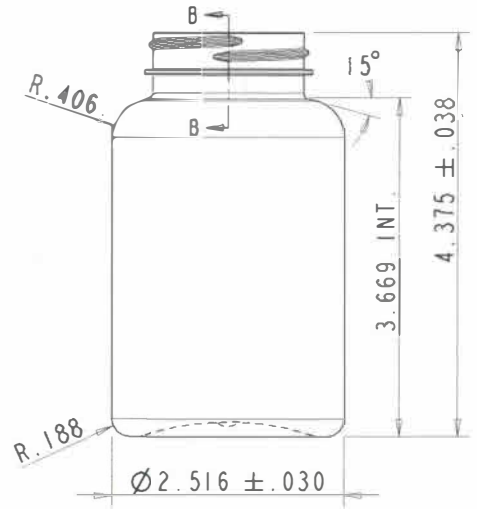
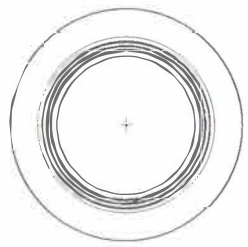


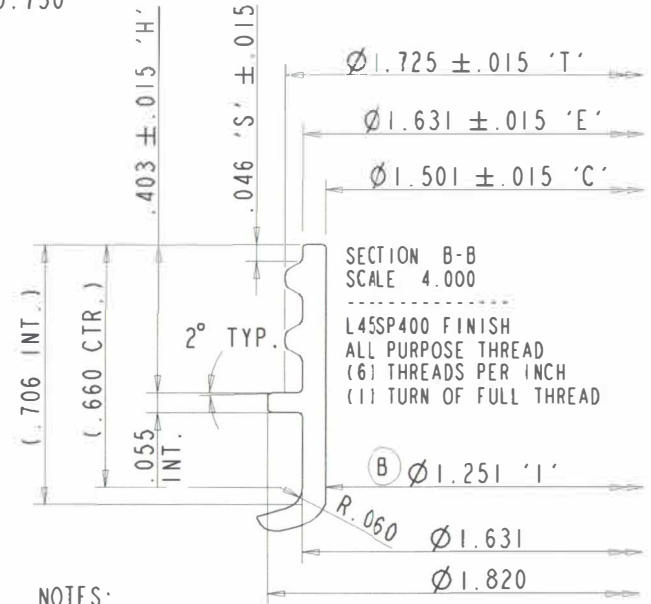
REV	DATE	BY	REVISION
A	102715	ES	REDRAWN FROM DWG. C-956PD-R1
B	012216	ES	ADDED 'I' DIM.
C	040817	ES	ADDED MIN. WALL NOTE.
D	050917	ES	UPDATED PUSHUP ENGRAVING.
E	081518	ES	ADDED .012" MIN WALL LOCATION.



SCALE 0.750

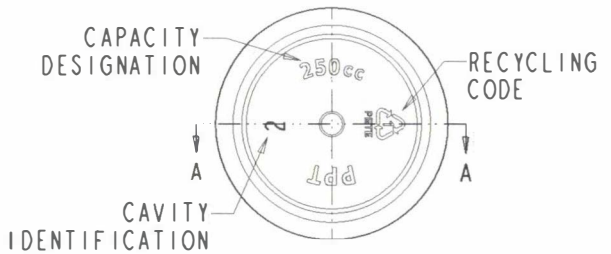
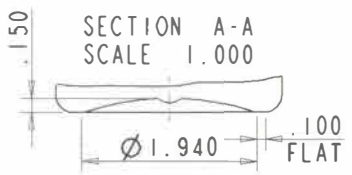


⑤ .012" MIN. WALL



NOTES:

- 1 - MOLD NO. - 400119
- 2 - MAX. VARIATION IN AVERAGE DIAMETER BETWEEN TOP AND BOTTOM NOT TO EXCEED .010
- 3 - ALL DIMENSIONS APPLY AS MOLDED
- 4 - MAXIMUM OUT OF ROUNDNESS ON BODY OF CONTAINER NOT TO EXCEED .015
- 5 - MIN. WALL .012".



RESTRICTED, CONFIDENTIAL DOCUMENT

THIS DOCUMENT AND THE INFORMATION THEREON IS THE SOLE AND EXCLUSIVE PROPERTY OF PERFORMANCE PLASTIC TECHNOLOGIES AND/OR ITS DESIGNATED SUCCESSOR(S). IT IS TO BE RETURNED TO THE RECIPIENT FOR A SPECIFIC LIMITED PURPOSE AND NOT BE USED FOR ANY OTHER PURPOSE. BY ACCEPTING THIS DOCUMENT, THE RECIPIENT AGREES THAT HE WILL ENSURE THAT THE DOCUMENT AND ALL INFORMATION THEREON WILL BE MAINTAINED IN STRICTEST CONFIDENCE. IT WILL NOT BE REPRODUCED, IN WHOLE OR IN PART, IN ANY MANNER WHATSOEVER WITHOUT THE EXPRESS WRITTEN APPROVAL OF PPT. IT WILL NOT BE REPRODUCED DIRECTLY OR INDIRECTLY, IN ANY MANNER OR FORM, TO ANY PARTY WITHOUT THE EXPRESS WRITTEN APPROVAL OF PPT AND IT WILL BE PROMPTLY AND INDIVIDUALLY RETURNED, WITH ALL HARD COPIES, TO PPT WHEN IT HAS SERVED THE PURPOSE INTENDED BY PPT, OR AT THE REQUEST OF PPT.



250 cc CT ROUND WIDE MOUTH PACKER  
L45SP400 FINISH

FILE NAME  
XXX.250cc-STR-SIDE  
(15-022-01-E)

SIZE: C  
DRAWN BY: ES  
SCALE: 1:4:1  
DATE: 09-30-2015  
DWG NO. 3200-0203-E  
SHEET 1 OF 1

35.40 SQUARE INCHES	9.39 SQUARE INCHES	28 ± 1	PET	293 ± 9 cc (9.91 ± .30 fl oz)
SURFACE AREA BELOW BASE OF NECK	AREA AT PART LINE BELOW BASE OF NECK	GRAMS	MAT'L.	OVERFLOW CAPACITY