

# 89-400 SM

Smooth Side Wall  
Smooth Top  
Continuous Thread  
89mm Diameter  
400 Thread Profile  
Lined or Unlined



## OPTIONS

- Available in standard or custom colors
- Low minimum order quantities, safety stock program available
- High speed lining capabilities with a variety of lining materials including heat induction, foam and pressure sensitive
- Round or tri-tab easy-open liners
- Industry's best lead times

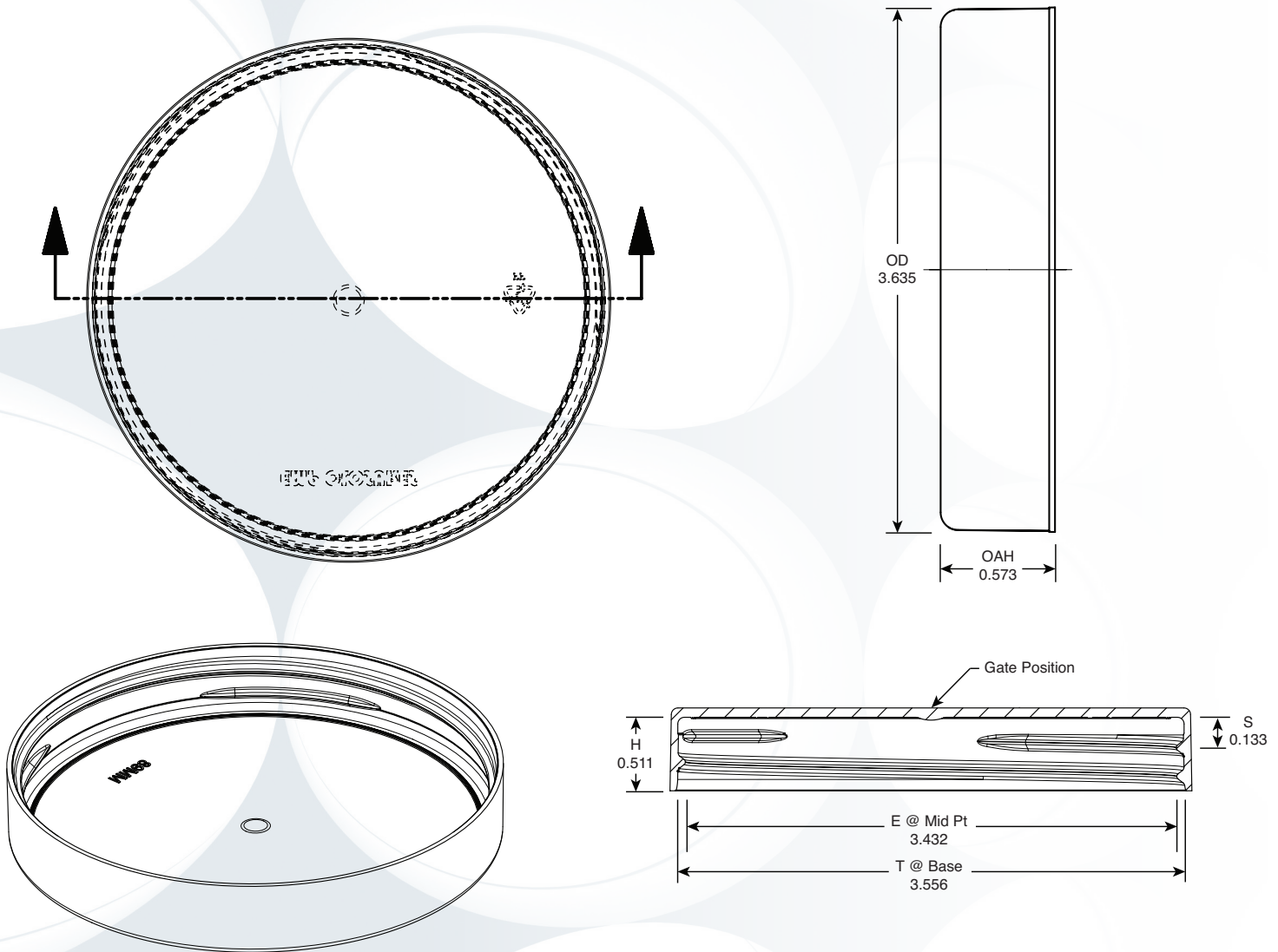
## SHIPPING INFORMATION

- Carton quantity: 640
- Carton packing: Stacked
- Pallet quantity: 16,000
- Truckload quantity: 480,000
- Carton weight (lbs):  
Lined: 25.5 Unlined: 22.3
- Pallet weight (lbs)  
Lined: 686 Unlined: 608
- Carton size: 23x15x15"
- Pallet size: 40x48x81"
- Freight class: 150


## STANDARD OR CUSTOM COLORS



# 89-400 SM



- Country of Origin is the USA and Manufacturing location is Erie, PA
- To maintain the quality of this product, it is recommended that product should be stored in its original packaging; away from any source of local heating and humidity; away from direct sunlight; under 30°C and dry conditions. It is recommended to allow product to reach operating temperature 24 hours before use.
- Products must be used within 12 months from the production date. Stocks should be in rotation so that first delivery is used first and last delivery is used last.

Inch tolerances (unless specified) General: +/- .010 "/>	 <p>6020 West Ridge Road          Erie, Pennsylvania 16506          (814) 838-7914 Fax (814) 838-7411</p>	
Number of turns: 1.25		
Pitch (TPI): 5	89-400 SM	
Material: PP	Erie Molded Packaging, Inc.	
This drawing is the exclusive property of Erie Molded Packaging, Inc. and may not be reproduced without the expressed written consent of Erie Molded Packaging, Inc.	Date: November 21, 2016	Sheet: 01 of 01

## HSP-3.1/10

- HSP-3.1/10 is a one-piece, paper backed, induction heat seal that gives a clean peel bond to Polyester (PET) & Vinyl (PVC) containers.
- Available with standard or custom print.

### Typical Product Attributes

#### Construction

Paper Aluminum Foil Heat Seal		SI (µm)	US (Mils)
		254,0 12,7 12,7	10.0 0.5 0.5
Tolerance Thickness Minimum Width Width Tolerance		± 10% 25,4 mm ± 1,6 mm	± 10% 1.0 inch ± 0.0625 inch

#### Properties

Water Vapor Transmission (WVTR)	Essentially Zero
Gas (O <sub>2</sub> , CO <sub>2</sub> & Others) (GTR)	Essentially Zero

#### Regulatory Compliance

FDA Compliance     Drug Master File (DMF) Other Compliances	21 CFR 177.1630 Polyethylene phthalate polymers. 21 CFR 177.1210 Closures with sealing gaskets for food containers 21 CFR 176.180 Components of paper and paperboard in contact with dry foods. 21 CFR 176.170 Components of paper and paperboard in contact with aqueous and fatty foods. 14762 USFDA Food Allergen Guidelines; California Proposition 65 Labeling Requirements; Limitations of Heavy Metals in Packaging per CONEG & EU 94/62/EC, Article 11
---	---

Original Date: 2003-05-02  
 Revised Date: 2016-08-25  
 Revision Number: 2  
 Created by PEY