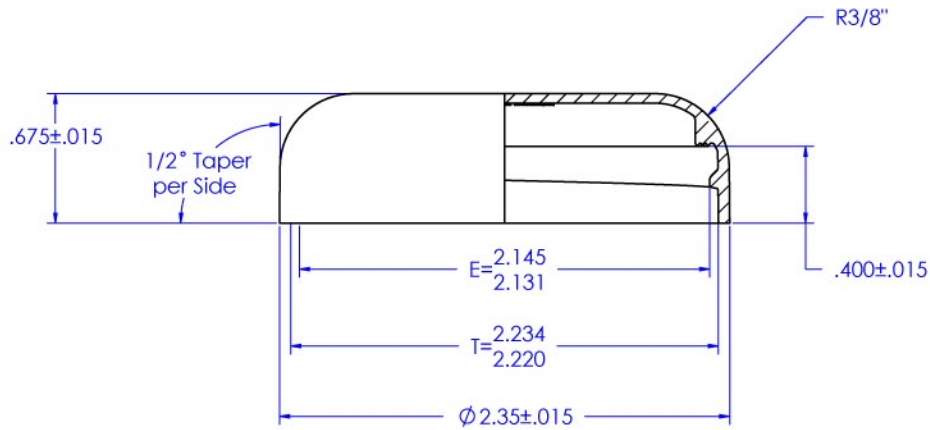
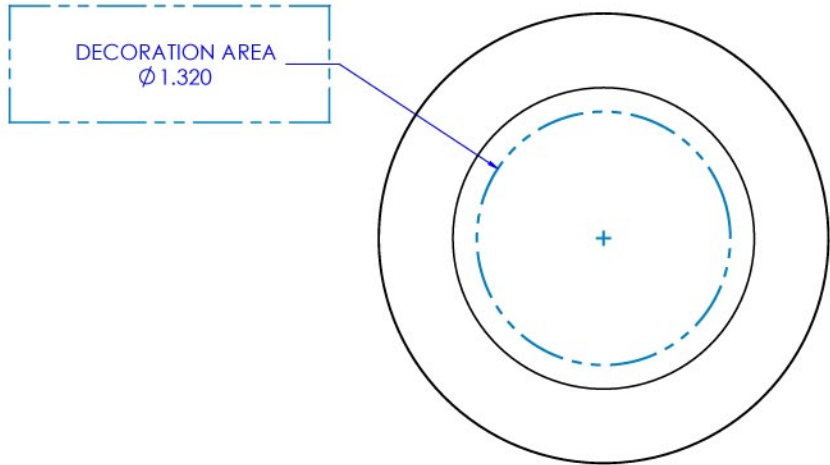


WARNING: PROPRIETARY AND CONFIDENTIAL

THE INFORMATION CONTAINED IN THIS DRAWING IS THE SOLE PROPERTY OF TARAL PLASTICS. ANY UNAUTHORIZED USE, TRANSMISSION, OR REPRODUCTION IN PART OR AS A WHOLE WITHOUT THE WRITTEN PERMISSION OF TARAL PLASTICS IS STRICTLY PROHIBITED.



TOLERANCE		REV.	DATE	DESCRIPTION
DIM.	TOL.			
.00	.015			
.000	.010			

REVISIONS				
REV.	DATE	DESCRIPTION		

NAME	DATE	725 Zwissig Way Union City, CA 94587	Phone: 866-93-TARAL www.TaralPlastics.com
DRAWN	W. OTT	01/11/2012	PART DESCRIPTION:
MATERIAL	PP		
APPROX WEIGHT:	6.8 grams		
THREAD:	"M" STYLE, 6 TPI PITCH		
COMMENTS:			
SIZE	PART CODE	58D-PP-UC	REV.
A			-
SCALE:1:1	DO NOT SCALE DRAWING	SHEET 1 OF 1	

