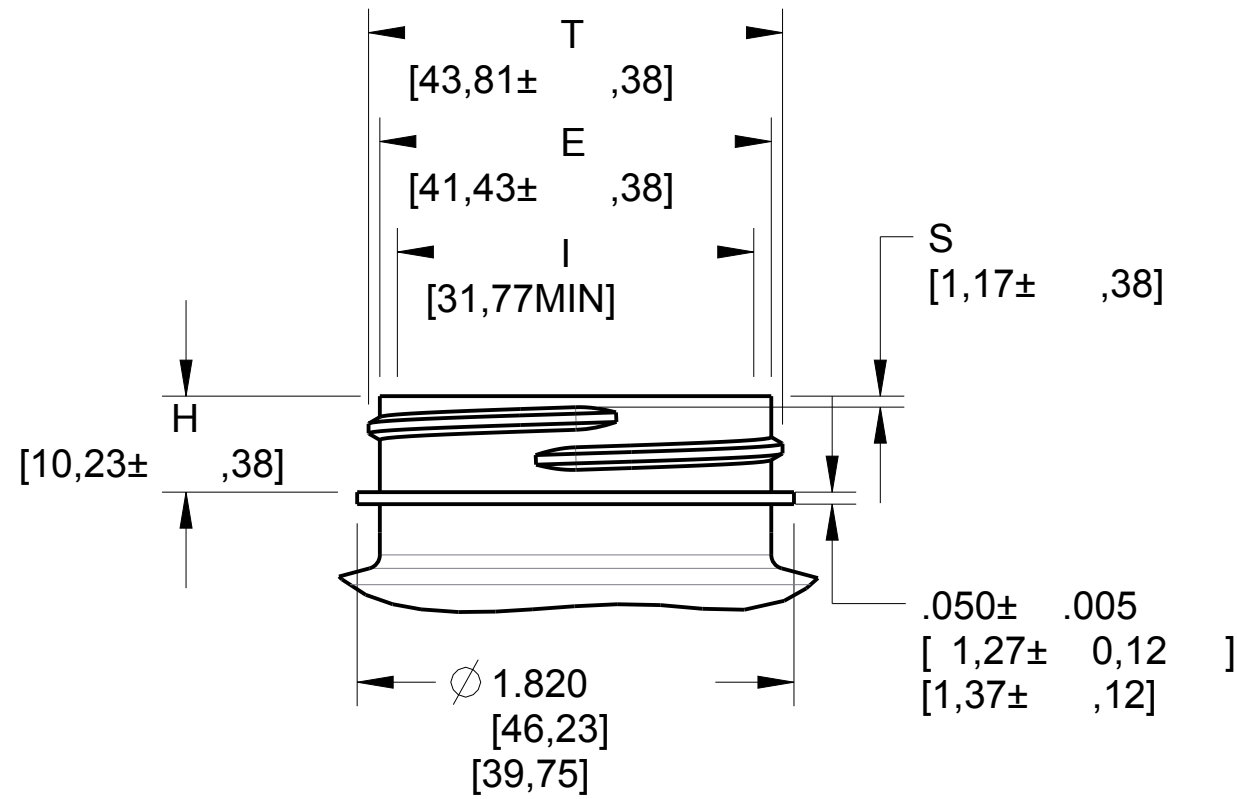
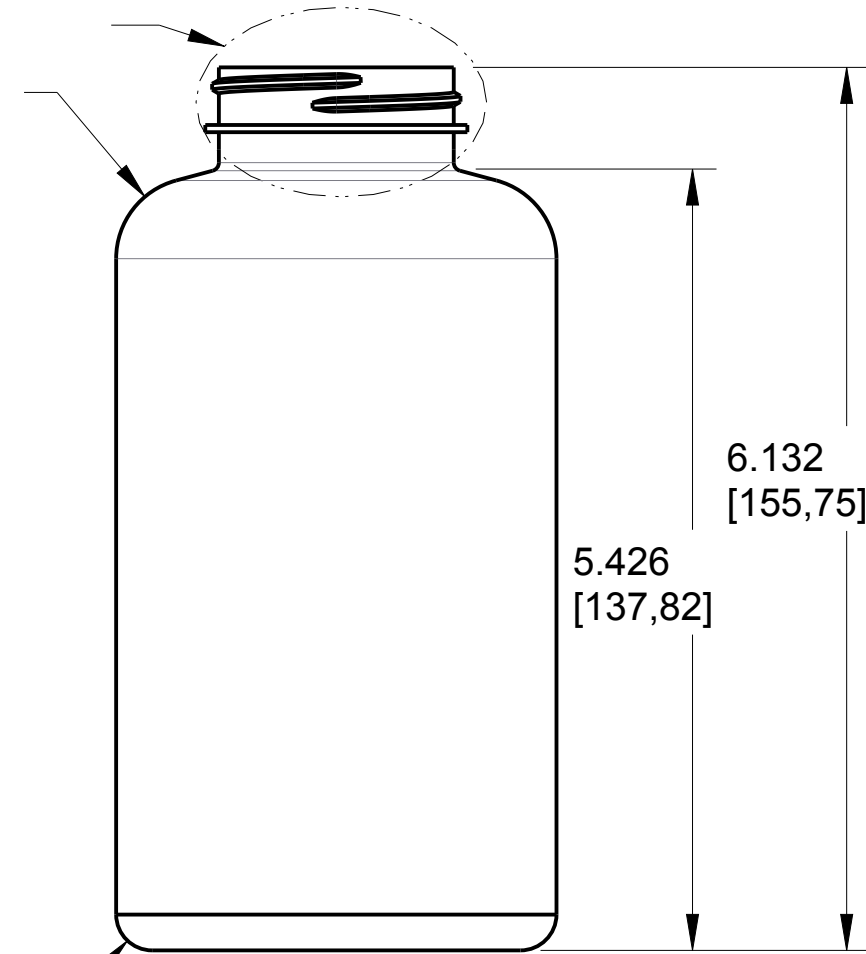
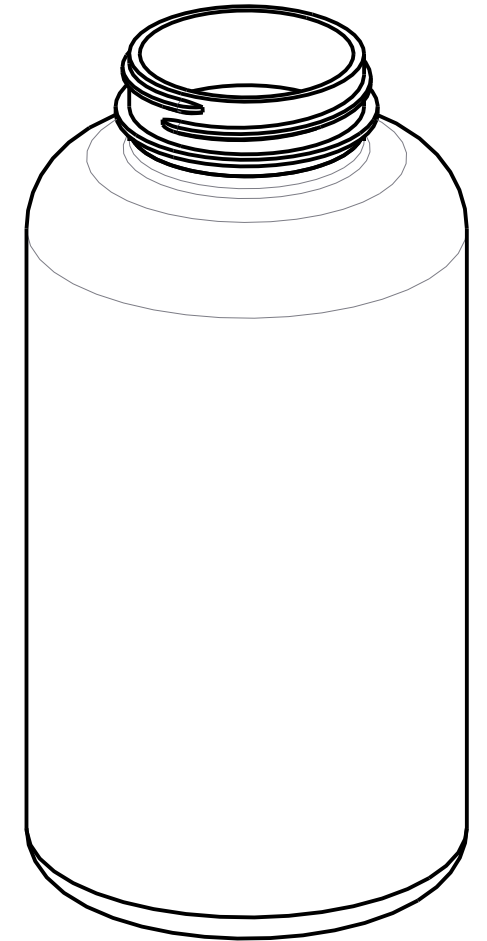


SEE DETAIL A

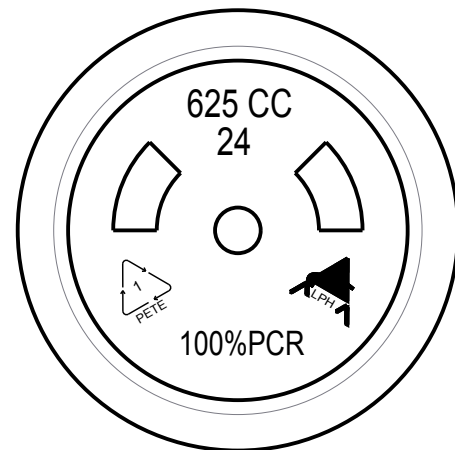
R.562
[14,27]



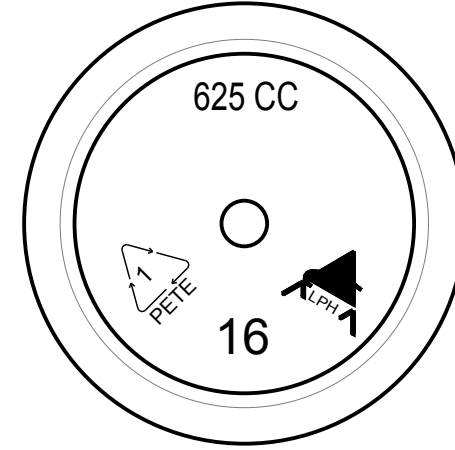
DETAIL A
SCALE 5/4



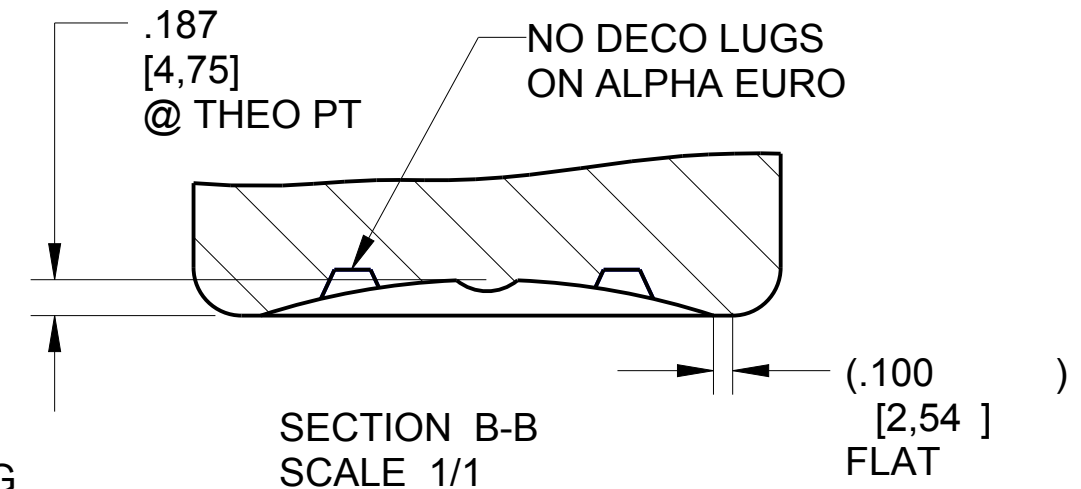
R.250
[6,35]



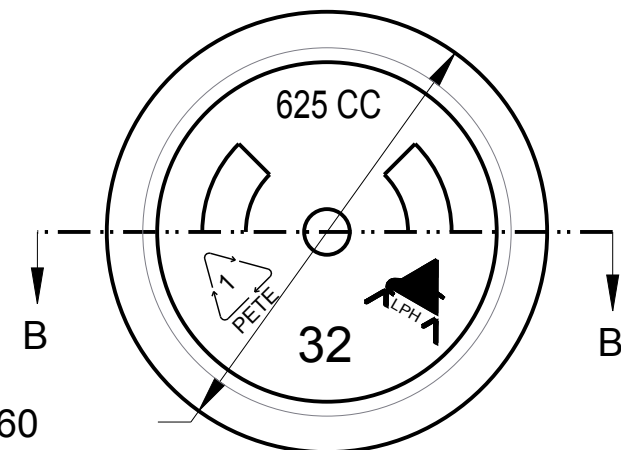
ALT BOTTOM PLUG
CONFIG




ALT BOTTOM PLUG CONFIG
ALPHA EURO



SECTION B-B
SCALE 1/1



∅ 3.058 ± .060
[77,67 ± 1,52]

| | | | | | | |
|--|------------------|---|--------------|---------------------------------------|----------------|---|
| Neck Finish: L45SP400 | | DISCLAIMER: Alpha Packaging assumes no responsibility for form, fit and function of closures, accessories, and/or shelf life and compatability of intended contents with this bottle. | | | | |
| © Alpha Packaging, Inc. | Min Thk | Color | Weight | Std. Pack | Revisions | |
| All measurements are in inches, [Metric] | .012[.30] | All Colors | 51.5 Gms ± 3 | 140, Stack | A | See ECF A.06/03/04.sct |
| | | | | | B | Stack was 119.5/2/06.sct |
| | | | | | C | Add Metric.5/13/10.sct |
| | | | | | D | Add Alt Config.11/5/10.sct |
| | | | | | E | Weight Tol updated. 01-09-14 RAB |
| Neck Dimensions: | | Tolerance: | | Where not shown | |  Packaging, Inc. (314) 427-4300--(800) 421-4772 |
| T = 1.725 ± .015 | E = 1.631 ± .015 | Decimal ± 0.05 [1,27] | | | Scale: 3/4 | |
| H = .403 ± .015 | I = 1.251 MIN | Angular ± 1° | | | Date: 08-21-01 | |
| S = .046 ± .015 | | | | | DwgRev | |
| Overflow Capacity: 618 ml ± 13 | | Material: PET | | 625cc, STRAIGHT SIDED, PET, 45-400 CT | | E |
| | | | | Approved By: SJ | | Drawing NO: 625PS1XX45L400 |