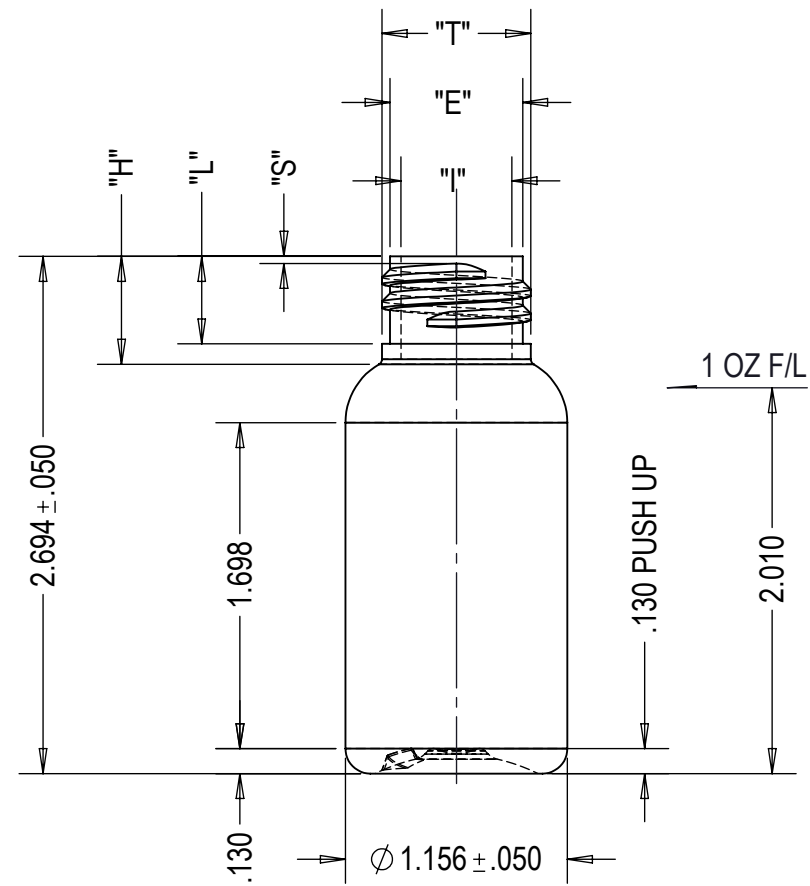
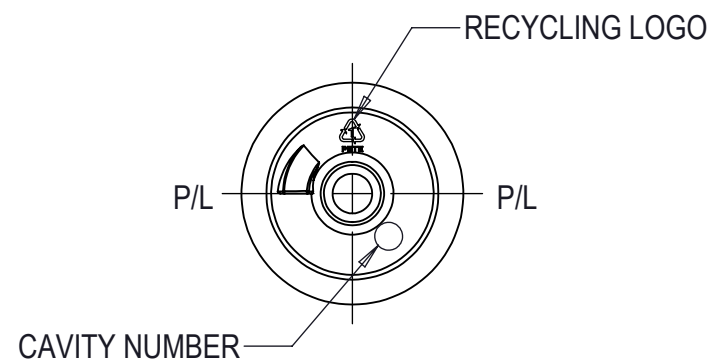


NO.	DESCRIPTION	DATE



AVAILABLE:

1. SKU# 1047, CLEAR
2. SKU# 1384, TRL AMBER(EOC 78468)
3. SKU# 1390, BLACK FDA(EXC 87925)
4. SKU# 1391, DARK AMBER(66N4452)



PROPRIETARY AND CONFIDENTIAL

"T" .775 ± .008	HELIX ANG. 3°7'		NAME	DATE	TITLE: <b>30 ML/1 OZ BOSTON ROUND</b>
"E" .691 ± .008	CUTTER DIA. .375	DRAWN	CAD1	JUN 15/21	
"S" .037 ± .015	T.P.I. 8	CHECKED			
"L" .456 MIN	PITCH .125	ENG APPR.			
"H" .554 ± .015	THREAD TURNS 2	MFG APPR.			
"I" .578		Q.A.			
"W"		MATERIAL: PETE			
		WEIGHT: 5.5G ± 1G			
		FILL CAPACITY: 30ML ± 2ML			
	NECK FINISH M20-SP410	O/F CAPACITY: 36ML ± 2ML			SCALE: 1:1