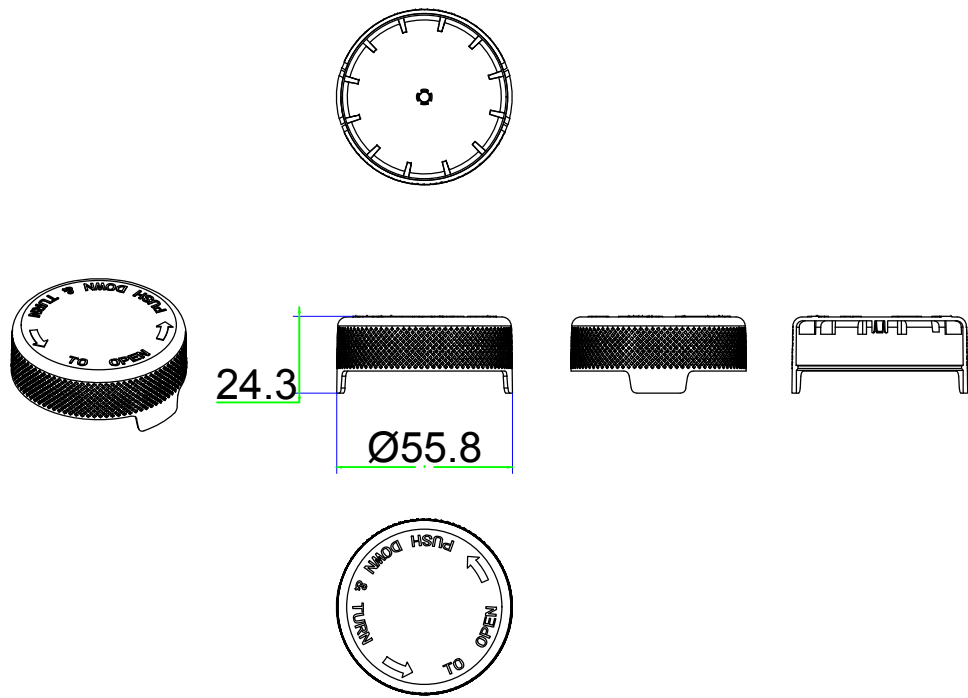


← Material: PP

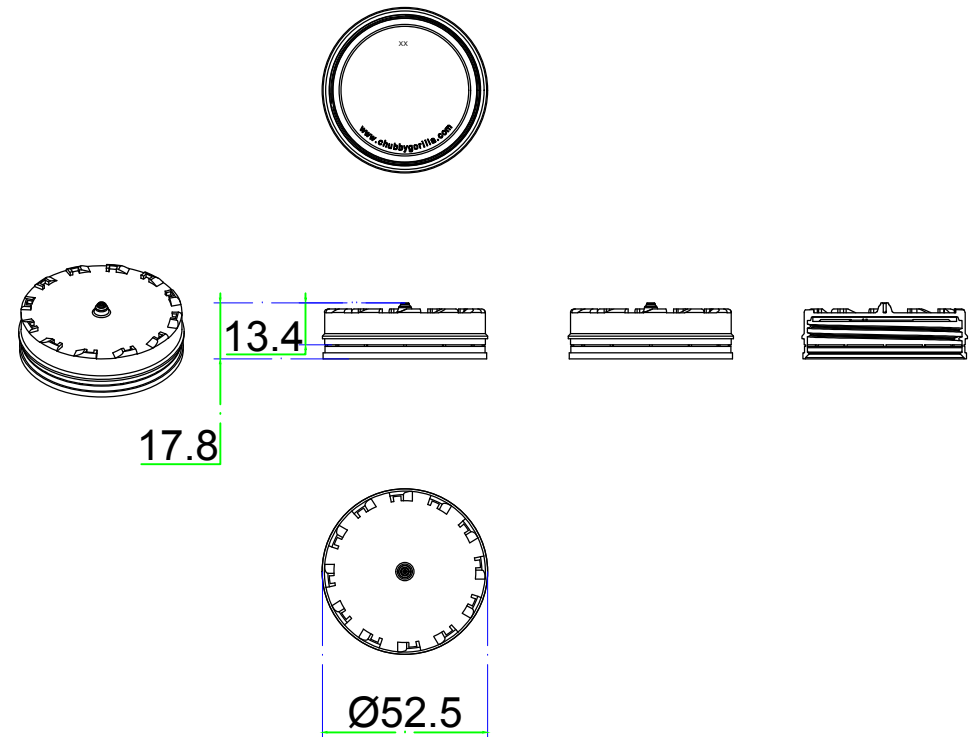
← Material: PE &
Inner-Seal:TPE

← Material: PET

- Notes:
- 1.All dimensions = mm
 - 2.Dimensions=averages
 - 3.Finish size=T50



Outer Closure



Inner Closure
Page 2 of 3

CGAC1-5OZ-XXXX
Drawing CG-AC-150
Revision date:19-May-2022

