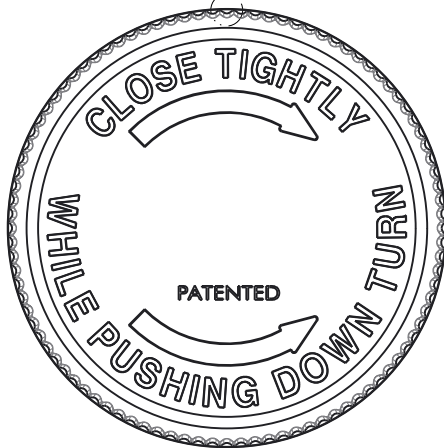


DESCRIPTION	MATERIAL	WEIGHT (REF)
22mm-400 OVERCAP - TEXT	POLYPRO	2.3g
22mm-400 INNER CLOSURE	POLYPRO	1.6g

SEE DECORATION DETAIL



NOTES:

DIAMETERS TO BE TAKEN AS AVERAGE

8 TPI THREAD CONSTRUCTION

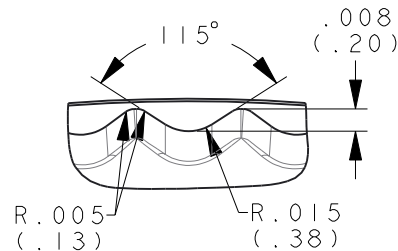
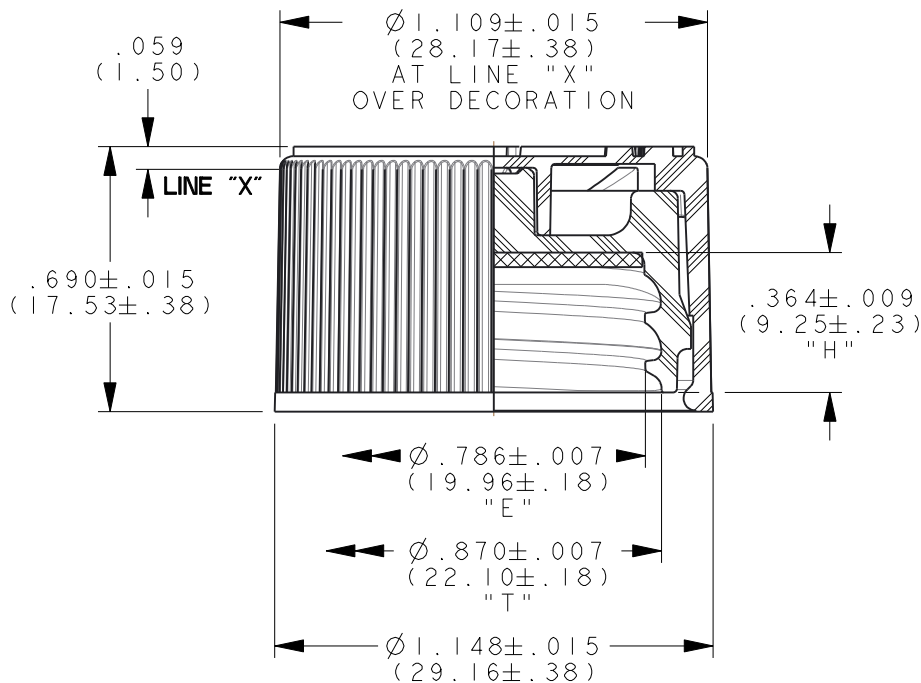
SEE DRAWING QIM-500-A105 FOR SPECIAL FINISH CONSIDERATIONS

SUGGESTED APPLICATION TORQUE:
11-15 IN-LBS (1.2-1.7 N-M)

CAVITY NUMBER TO APPEAR ON INSIDE TOP SURFACE OF BOTH OUTER AND INNER CLOSURES

ENGLISH DIMENSIONS IN INCHES
METRIC DIMENSIONS IN (mm)

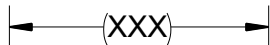
SUPERSEDES DWG# K7043 AND QIM-500-A89



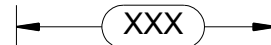
DECORATION DETAIL
REFERENCE ONLY
SCALE 15:1

96 EQUALLY SPACED CUTS

REV.A - 2/12/2018 - EPH
#RCT170564



REFERENCE DIMENSIONS ARE NOT INSPECTED AND NO TOLERANCE APPLIED



INSPECTION DIMENSIONS ARE VERIFIED WITH TOLERANCE

THIS DRAWING IS NOT A CONTROLLED DOCUMENT IF PRINTED OR COPIED FROM THE APPROVED LOCATION

CONFIDENTIAL

THIS UNPUBLISHED WORK IS THE PROPERTY OF BERRY GLOBAL, INC AND IS PROTECTED BY TRADE SECRET, COPYRIGHT AND OTHER INTELLECTUAL PROPERTY LAWS AND MAY ALSO BE SUBJECT TO A SPECIFIC OR GENERAL CONFIDENTIALITY AGREEMENT. IT IS NOT TO BE VIEWED BY UNAUTHORIZED PERSONS OR DUPLICATED IN ANY MEDIUM FOR PURPOSES OTHER THAN THOSE FOR WHICH IT IS SPECIFICALLY FURNISHED.



101 OAKLEY STREET
EVANSVILLE,
INDIANA 47706
TEL. (812) 424-2904

SIZE AND STYLE: CR22400FXUS	DRAWING TYPE: CUSTOMER
DESCRIPTION: 22mm-400 CR4 CHILD RESISTANT CLOSURE W/ TEXT INSTRUCTIONS	
DRAWING NO: QIM-500-A126	PROJECT NO:
CREATED BY: L BROZELL	CREATION DATE: 09/27/11
DRAWING REVISION: A	SHEET 1 of 1
SCALE: 2:1	SHEET SIZE A