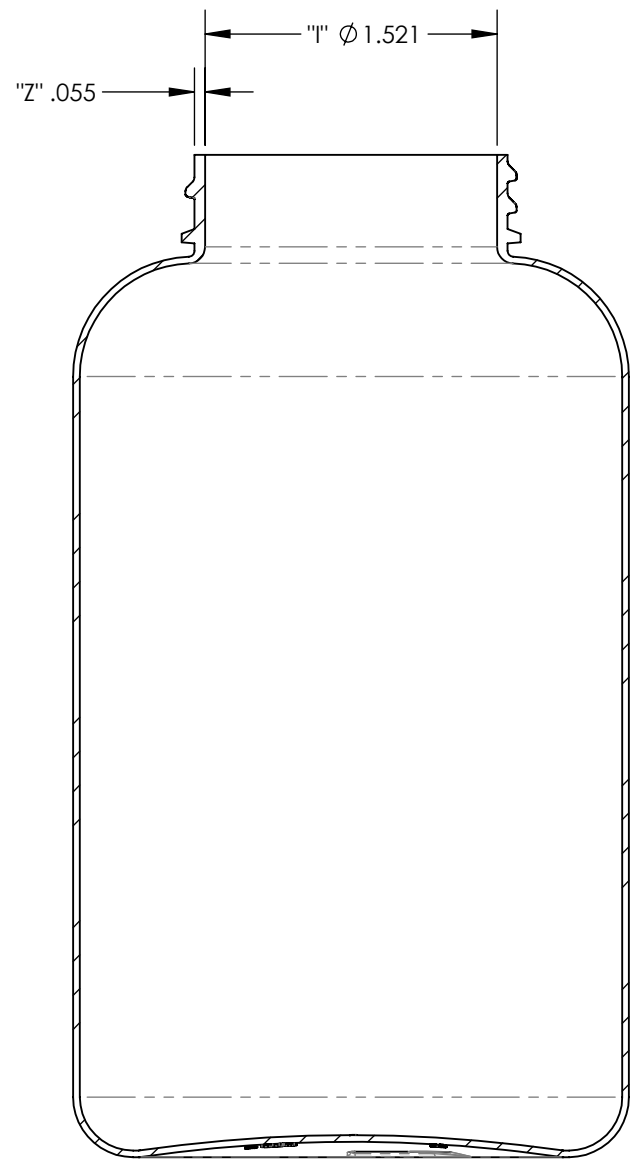
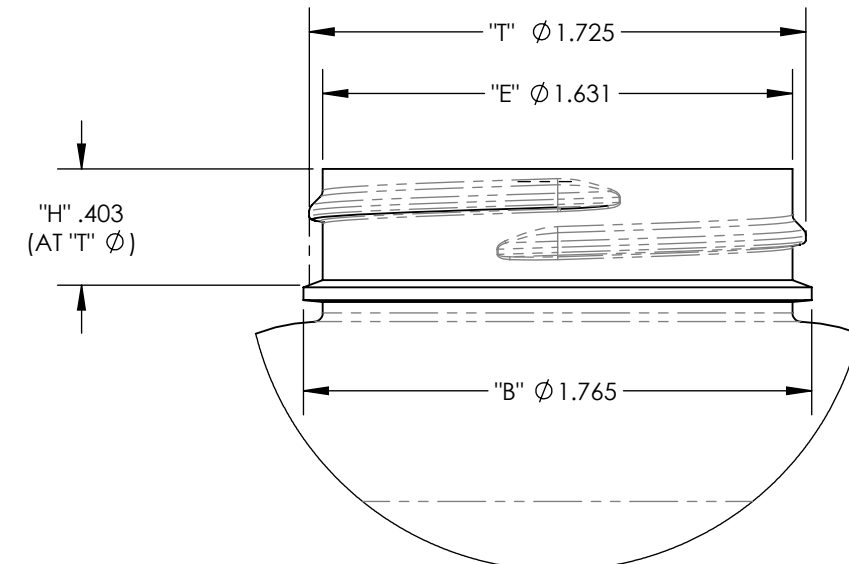
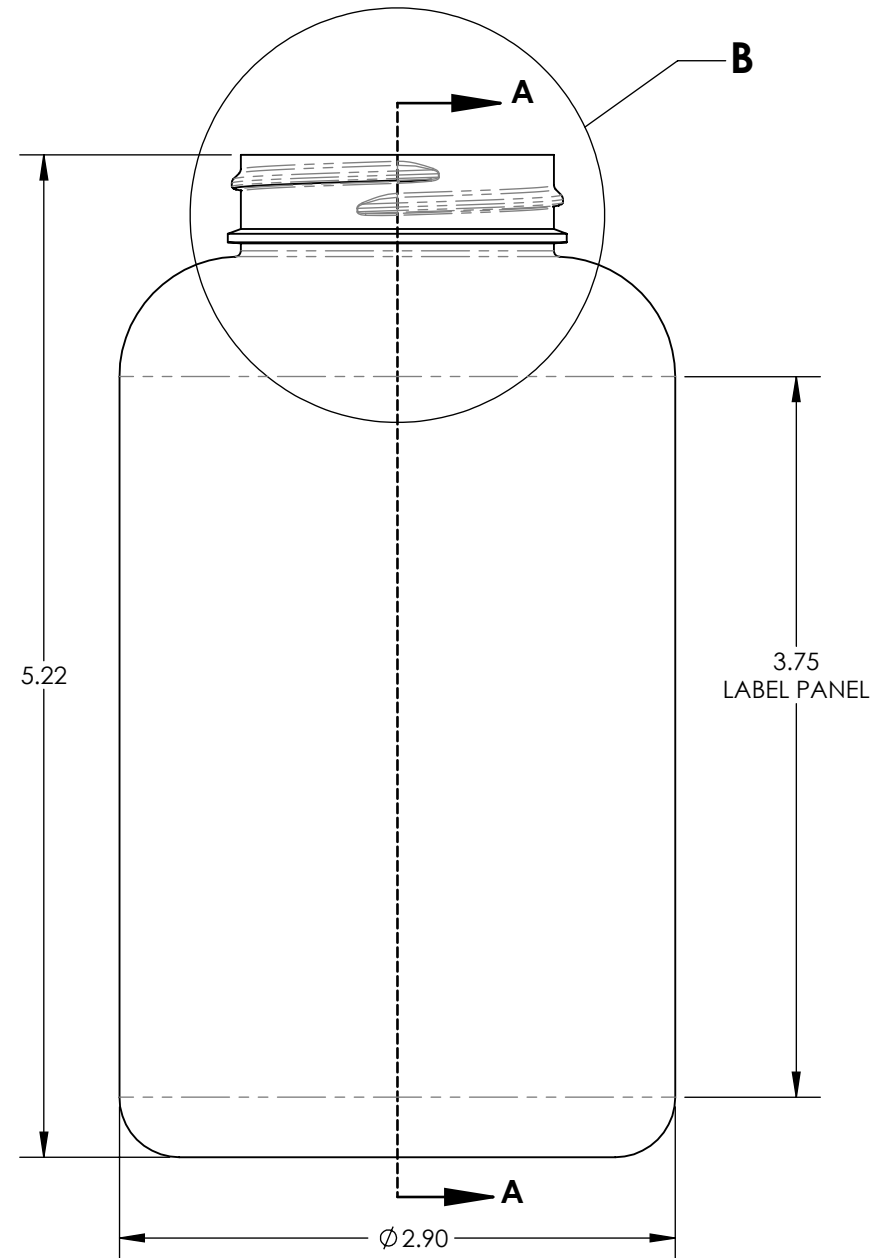


ECN/ECO	REV	DESCRIPTION	DRAWN	CHECKED	APPROVED



SECTION A-A
SCALE 1 : 1



DETAIL B
SCALE 1.5 : 1

PRELIMINARY


NOTES:

1. MATERIAL: SEE PRODUCT SPECIFICATION
2. NECK FINISH: M45-400, 6 THREADS PER INCH
3. MINIMUM WALL THICKNESS: SEE PRODUCT SPECIFICATION
4. MAXIMUM SINK IN LABEL AREA IS .012"
5. ENGRAVING: 08" TALL X .01" EMBOSSED
6. FINISH: SPI-C3
7. FLASH NOT TO EXCEED .01"
8. OVERFLOW CAPACITY : TBD ± 4.0cc
9. WEIGHT: SEE PRODUCT SPECIFICATION



ISOMETRIC VIEW
SCALE 1:2

CONFIDENTIAL

THIS DRAWING IS CONFIDENTIAL AND IS THE SOLE PROPERTY OF ALLTRISTA PLASTICS AND IS NOT TO BE REPRODUCED OR DISTRIBUTED, IN ANY FORM, WITHOUT PERMISSION.	DRAWN: PWH	DATE: 10/27/20	 1303 S. Batesville Rd. Greer, SC 29650-9301
	CHECKED:	DATE:	
	APPROVED:	DATE:	
	CUSTOMER:		
	CUSTOMER PART NO.:		TITLE: ALLSTOCK 400cc BOTTLE - S
	MOLD NO.:		PART/DWG NO.:
	SCALE: 1:1	SHEET: 1 OF 1	20AP-12191-10-S
			SIZE B