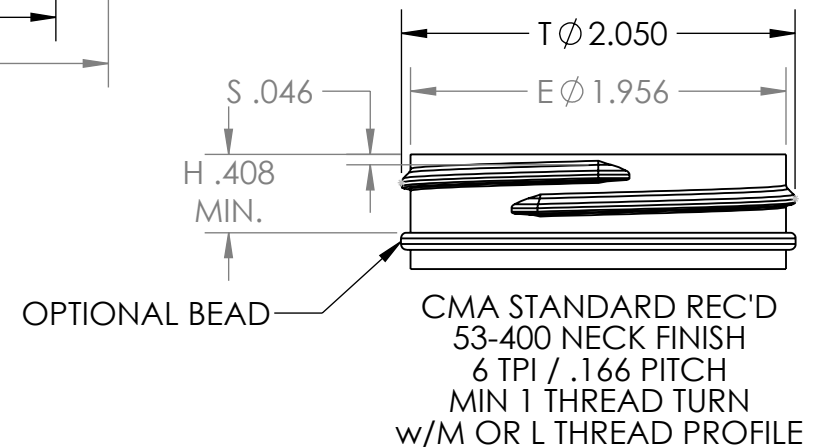
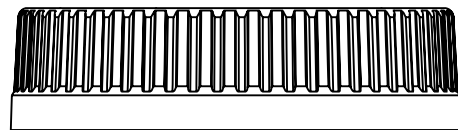
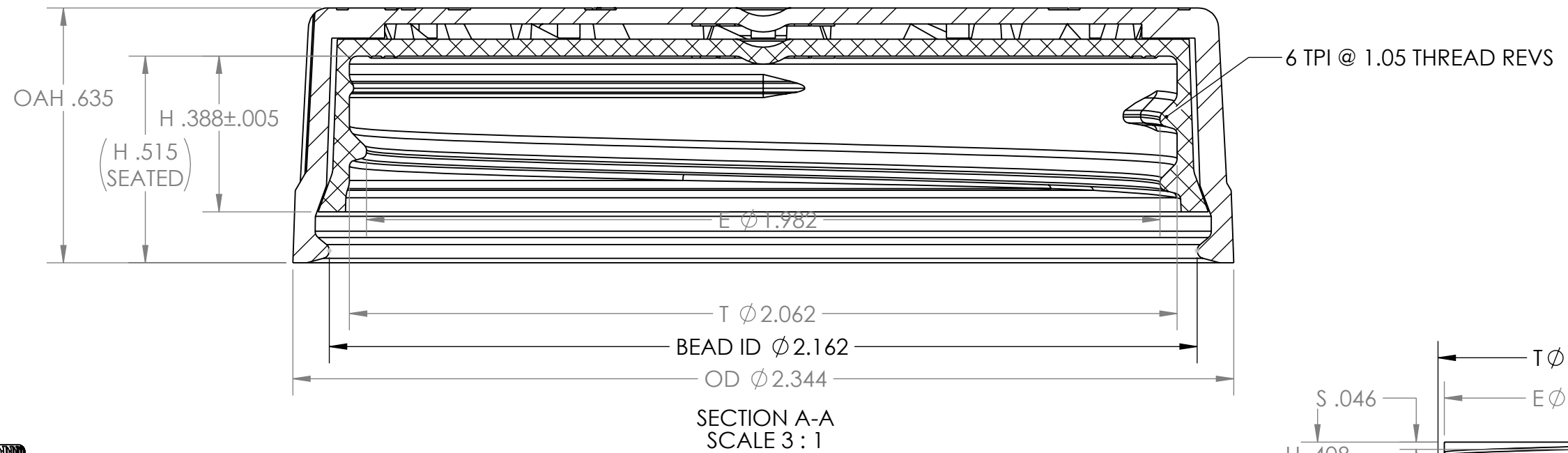
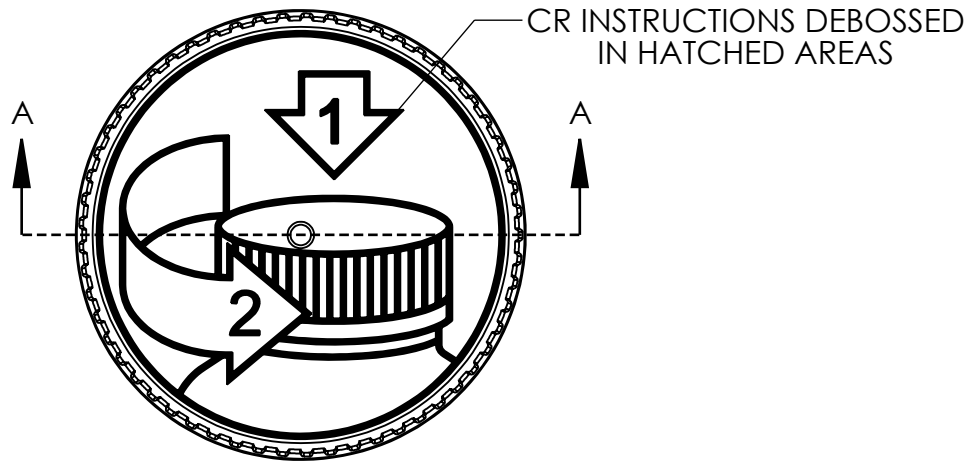


REVISIONS			
REV	DESCRIPTION	DATE	INITIAL
A	INITIAL RELEASE	3/24/23	MSW



NOTES:
• TBD



RIEKE CORPORATION - AUBURN, IN
PROPRIETARY AND CONFIDENTIAL
THE INFORMATION CONTAINED IN THIS DRAWING IS THE SOLE PROPERTY OF RIEKE CORPORATION. ANY REPRODUCTION IN PART OR AS A WHOLE WITHOUT THE WRITTEN PERMISSION OF RIEKE CORPORATION IS PROHIBITED.

UNLESS OTHERWISE SPECIFIED
DIMENSIONS ARE IN INCHES
TOLERANCES:
FRACTIONAL ± .0625
ANGULAR: MACH ± 1 BEND ± 1
TWO DECIMAL ± .015
THREE DECIMAL ± .010

MATERIAL
PP
REC'D TORQUE
21-31 in-lbs
DO NOT SCALE DRAWING

NAME	MSW
DATE	3/24/23
DRAWN	XXX
CHECKED	
ENG. APPR.	
MFG. APPR.	
Q.A.	
COMMENTS:	

TITLE: 53MM CRC
CUSTOMER PRINT
SC-53-CR-LW-GA

SIZE	DWG. NO.	REV
B	28003638	A
SCALE: 1:1		SHEET 1 OF 1

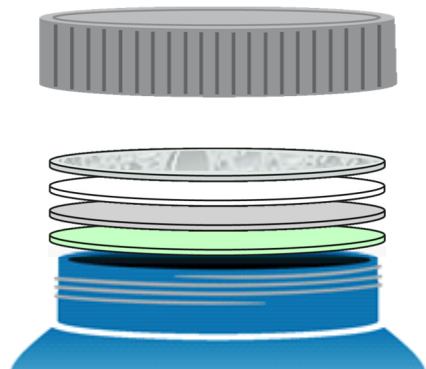
PRODUCT DATA SHEET

HS035/20F

- HS035/20F is a one-piece, polystyrene backed, induction heat seal with an ethylene vinyl acetate based sealant layer that gives a tamper evident bond to Polyethylene (PE), Polypropylene (PP), Polyester (PET), Polystyrene (PS), Vinyl (PVC) and glass containers.
- Available with standard or custom print.

Typical Product Attributes

Construction

		SI (µm)	US (Mils)
Polystyrene Foam		508,0	20.0
White Paper		71,1	2.8
Aluminum Foil		8,9	0.35
Heat Seal		38,1-76,2	1.5-3.0
Thickness Tolerance		± 10%	± 10%
Minimum Width		25,4 mm	1.0 in
Width Tolerance		± 1,6 mm	± 0.0625 in

Properties

Oxygen Transmission (O ₂ TR)	Essentially Zero
Water Vapor Transmission (WVTR)	Essentially Zero

Regulatory Compliance

FDA Compliance	21 CFR 177.1640 Polystyrene and rubber-modified polystyrene. 21 CFR 177.1350 Ethylene-vinyl acetate copolymers. 21 CFR 177.1210 Closures with sealing gaskets for food containers. 21 CFR 176.180 Components of paper and paperboard in contact with dry foods. 21 CFR 176.170 Components of paper and paperboard in contact with aqueous and fatty foods.
Drug Master File (DMF)	002518
Other Compliances	USFDA Food Allergen Guidelines California Proposition 65 Labeling Requirements Limitations of Heavy Metals in Packaging per CONEG & EU 94/62/EC, Article 11
Safety Data Sheet (SDS) Statement	Safety Data Sheets (SDS) are not required for articles as defined in 29 CFR 1910.1200, the OSHA Hazard Communication Standard (HazCom). This product is an article as defined by HazCom and is not considered to be, or to contain, a hazardous chemical based on evaluations made by our company.

Please note that construction does not reflect adhesive or resin bonding layers, if present.

Revision Number: 3
Revised Date: 2018-05-29

DISCLAIMER: This information is believed to be accurate at the time of printing and is subject to change without notice. Providing this information does not convey any licenses under any patent rights or intellectual property rights of Tri-Seal or others. TRI-SEAL MAKES NO WARRANTY, EXPRESS OR IMPLIED, WITH RESPECT TO THIS INFORMATION AND DISCLAIMS ALL LIABILITY FROM RELIANCE ON IT. Tri-Seal's only warranties for this product are those written warranties as may be agreed to by Tri-Seal and its customers. TRI-SEAL SPECIFICALLY DISCLAIMS ALL OTHER WARRANTIES, EXPRESS OR IMPLIED, WITH RESPECT TO THE PRODUCT, INCLUDING, BUT NOT LIMITED TO, WARRANTIES OF MERCHANTABILITY AND FITNESS FOR PARTICULAR PURPOSE.