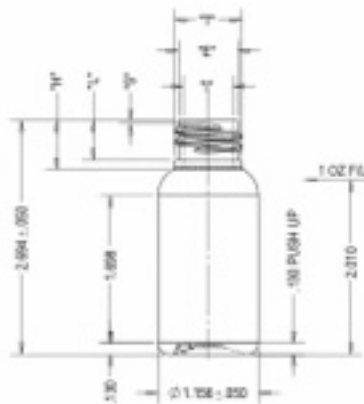


NO.	DESCRIPTION	DATE



AVAILABLE

1. SKUR 1117, CLEAR
2. SKUR 1190, AMBER
3. SKUR 1197, WHITE
4. SKUR 1220, BLACK
5. SKUR 1238, PCR CLEAR
6. SKUR 1411, PCR BLACK(EXC 87925)
7. SKUR 1412, PCR WHITE(EXC 88713)

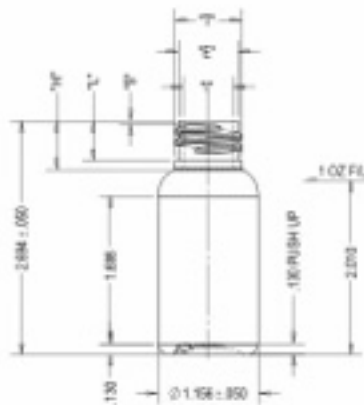


FOR YOUR INFORMATION, THE INFORMATION CONTAINED HEREIN IS UNCLASSIFIED EXCEPT WHERE SHOWN OTHERWISE. IT IS RELEASED UNDER THE NATIONAL ARCHIVES ACT OF 2014.

DATE	BY	DESCRIPTION
11/17/20	HELI, RIG, J.T.	DRAWN
11/17/20	CUTLER, DA, JN	CHECKED
11/20/20	TPJ, B	ENG APPR
11/20/20	FITCH, SS	MFG APPR
11/20/20	THREAD, TURNS	G.A.
1/20		MATERIAL P/CS
1/20		WEIGHT 80 ± 10
1/20		FLL CAPACITY 30ML ± 3%
1/20		OP CAPACITY 30ML ± 3%

Bottlecorp Tel: 955-254-0000
 Fax: 955-254-0000
 www.bottlecorp.com
 TITLE: 30 ML/1 OZ BOSTON ROUND
 DWG. NO: IBC-1039-V02-R01
 SCALE: 1:1

NO.	DESCRIPTION	DATE



AVAILABLE

1. SKUR 1047, CLEAR
2. SKUR 1384, TRL AMBER(ECC 79468)
3. SKUR 1380, BLACK FDA(EXC 87925)
4. SKUR 1391, DARK AMBER(889452)



FOR YOUR INFORMATION, THE INFORMATION CONTAINED HEREIN IS UNCLASSIFIED EXCEPT WHERE SHOWN OTHERWISE. IT IS RELEASED UNDER THE NATIONAL ARCHIVES ACT OF 2014.

DATE	BY	DESCRIPTION
11/17/20	HELI, RIG, J.T.	DRAWN
11/17/20	CUTLER, DA, JN	CHECKED
11/20/20	TPJ, B	ENG APPR
11/20/20	FITCH, SS	MFG APPR
11/20/20	THREAD, TURNS	G.A.
1/20		MATERIAL P/CS
1/20		WEIGHT 550 ± 10
1/20		FLL CAPACITY 30ML ± 3%
1/20		OP CAPACITY 30ML ± 3%

Bottlecorp Tel: 955-254-0000
 Fax: 955-254-0000
 www.bottlecorp.com
 TITLE: 30 ML/1 OZ BOSTON ROUND
 DWG. NO: IBC-1039-V02-R02
 SCALE: 1:1