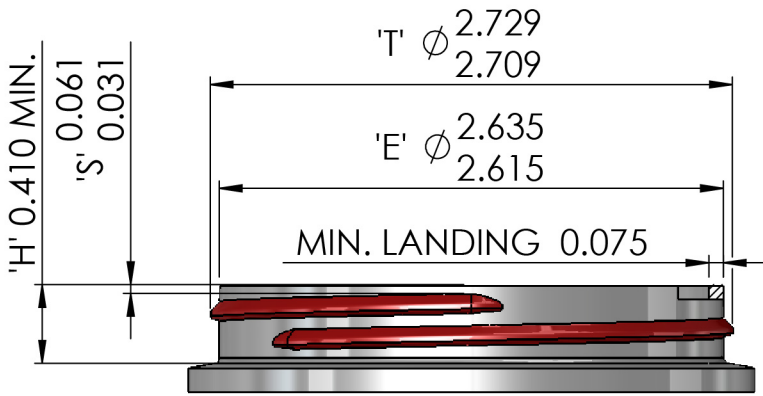


RECOMMENDED CONTAINER DATA

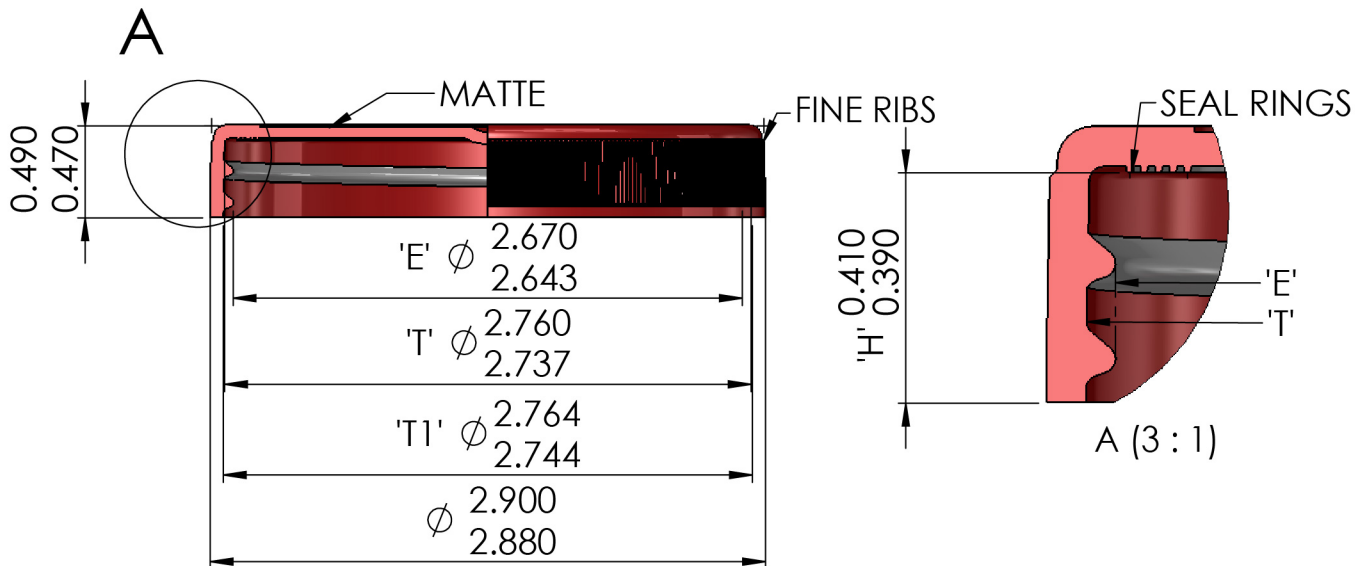
SPEC. No: S-070-400-02



THREAD DATA

- 1.) 70-400 FINISH
- 2.) 1.125 TURNS THREAD
- 3.) 6 T.P.I. - .166 PITCH
- 4.) L OR M THREAD STYLE

CAP DATA



CAP SIZE:	70 MM
MATERIAL:	POLY PRO
DATE:	1/7/2011
PART DESCRIPTION:	70MM FINE RIB MATTE
SPECIFICATION No:	S-070-400-02

rieke *Innovative Molding, Incorporated*

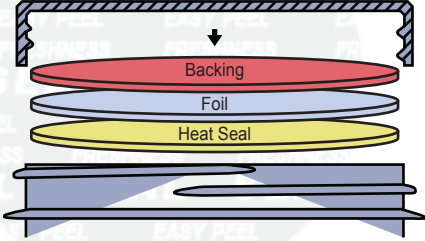
1200 Valley House Dr. Ste 100 Rohnert Park, CA 94928
 Phone: (707) 238-9250 Fax: (707) 238-9264

COMPILED BY:	DAW	DRAWN BY:	CSF
REV:	C	STOCK #:	C-70-1

FoilSeal™ Technical Data Sheet

.008" C1S FS 5-9

Revision: FS59-09182014

Product	.008" C1S FS 5-9														
Scope	One piece board backed universal heat induction foil innerseal that will seal to all container materials with varying degrees of adhesion.														
Composition	<table border="1"> <thead> <tr> <th>Material</th> <th>Standard</th> <th>Metric</th> </tr> </thead> <tbody> <tr> <td>Backing</td> <td>.008"</td> <td>.2032mm</td> </tr> <tr> <td>Foil</td> <td>.001"</td> <td>.0254mm</td> </tr> <tr> <td>Heat Seal</td> <td>.001"</td> <td>.0254mm</td> </tr> </tbody> </table>	Material	Standard	Metric	Backing	.008"	.2032mm	Foil	.001"	.0254mm	Heat Seal	.001"	.0254mm		
Material	Standard	Metric													
Backing	.008"	.2032mm													
Foil	.001"	.0254mm													
Heat Seal	.001"	.0254mm													
Adhesive or resin bonding layers not shown.															
FDA Status: 21 CFR 177.1210	Recommended Storage and Handling: Refer to Website														
Drug Master File (DMF): #4544	EU / EP Reg.: Does not meet Article 3a of Reg. No. 2023/2006 and Article 3 of Reg. No. 1935/2004.														
GTR Oxygen: <0.0003 cc Oxygen/100 IN2 * 24hrs. @ 100°F, ASTM D3985	MVTR: <0.0003 gm water/100IN2 * 24 hrs. @ 75°F, ASTM F1249														
Sealing to glass containers: Selig can not guarantee the performance or seal integrity of this materials when applied to any glass (treated or untreated) container. We suggest you contact your glass supplier for recommendations on glass treatments that may or may not improve performance or seal integrity.															
Print Location (if any): Heat Seal Layer and/or Backing															

Selig materials are compliant with current USFDA Food allergen Guidelines.

Selig materials are compliant with California Proposition 65 labeling requirements.

Selig materials are compliant with limitation of heavy metals in packaging per CONEG & EU 94/62/EC, article 11.

Recommended for use with dry food products. Is not suitable for use with fatty or alcoholic food types per ECC Reg. № 10/2011. Determining specific organoleptic compatibility per Article 3a of ECC Reg. № 2023/2006 is the responsibility of the food packager.

MSDS's are not required as Selig is not a chemical manufacturer or distributor and our products are 'articles' intended for food packaging per 29 CFR 1910.1200 (HazCom).

The information contained within this product data bulletin is to be used as a general guide in determining which structures are offered for sealing to specific container materials. All of the information which we provide is reliable to the best of our knowledge, but the accuracy thereof is not guaranteed. We suggest that consumers determine suitability for their own application.

www.seligsealing.com

Corporate Headquarters
Selig Sealing Products, Inc.
342 E Wabash St
Forrest, IL 61741, USA
Phone: +1 (815) 785-2100
Fax: +1 (815) 657-7584

North American Sales
Selig Sealing Products, Inc.
184 Shuman Blvd., Suite 310
Naperville, IL 60563, USA
Phone: +1 (630) 922-3158
Fax: +1 (630) 922-8469

European Sales and Manufacturing
Selig UK, LTD 635-637 Ajax Avenue
Slough Trading Estate
Slough Berkshire SL14BH UK
Phone: +44 (0) 1753 773 000
Fax: +44 (0) 1753 773 111

Canadian Manufacturing
Selig Canada, ULC
145 Edward Street
Aurora, Ontario Canada, L4G 1W3
Phone: +1 (905) 727-0114
Fax: +1 (905) 727-8544

Swiss Manufacturing
Selig Switzerland LTD
Bahnhofstrasse 11
CH-8172 Niederglatt
Phone: +41 (0) 44 851 50 50
Fax: +41 (0) 44 851 50 51