

**SPIRAL 510 CARTRIDGE CONTAINER**

**SKU:** CGSC1-510F

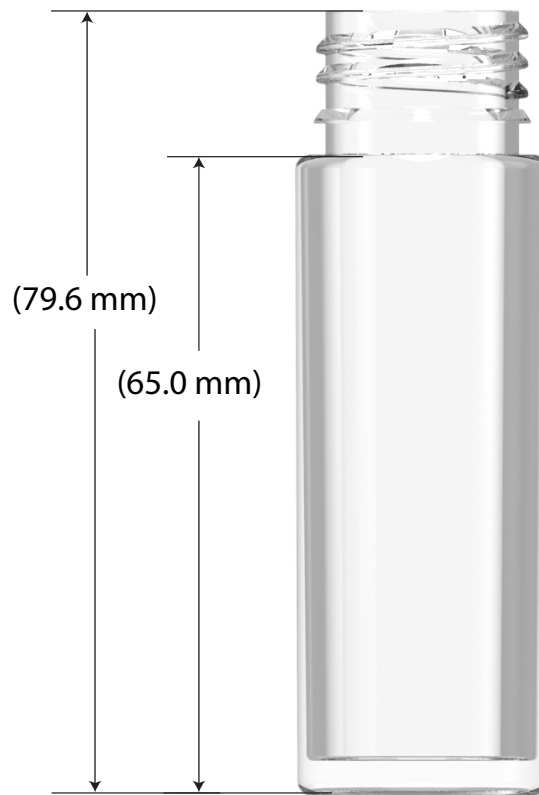
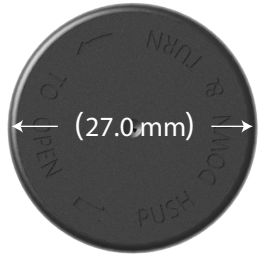
**LABEL SIZE SUGGESTION:**

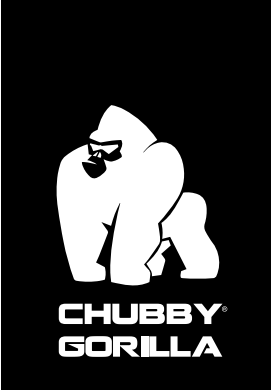
**inch** | 2.95" W x 2.17" H

**mm** | 75 mm W x 55 mm H

**CAPACITY:**

65 mm





**SPIRAL 510 CARTRIDGE CONTAINER**

**SKU: CGSC1-510F**

**LABEL SIZE SUGGESTION:**      **inch** | 2.95" W x 2.17" H      **mm** | 75 mm W x 55 mm H

**CAPACITY:**                      65 mm

