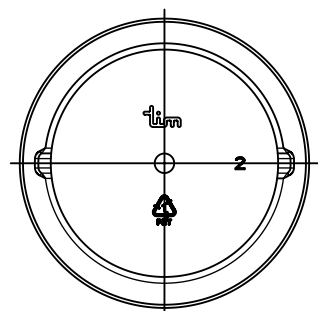


**NECK DETAIL**

**SCALE 1:5**

**NECK FINISH: SP-400, L89-1TURN-PITCH 5.08**

Deep Skirt Neck finish



**PROPRIETARY AND CONFIDENTIAL**

THE INFORMATION CONTAINED IN THIS DRAWING IS THE SOLE PROPERTY OF **TIM PLASTICS, INC.** ANY REPRODUCTION IN PART OR AS A WHOLE WITHOUT THE WRITTEN PERMISSION OF **TIM PLASTICS, INC.** IS PROHIBITED.

UNLESS OTHERWISE SPECIFIED:  DIMENSIONS ARE IN INCHES TOLERANCES: FRACTIONAL ± ANGULAR: MACH ± BEND ± TWO PLACE DECIMAL ± THREE PLACE DECIMAL ±  INTERPRET GEOMETRIC TOLERANCING PER: MATERIAL <b>PET</b> FINISH <b>89SP400</b>  DO NOT SCALE DRAWING	DRAWN	NAME <b>AS</b>	DATE 06-05-13	<b>TIM PLASTICS, INC.</b>
	CHECKED			
	ENG APPR.	AMIT	06-05-13	<b>16 oz. JAR 89SP400</b>
	MFG APPR.			
	Q.A.			SIZE <b>A</b>
	COMMENTS: <b>O'FLOW: 465.0 ± 8.0cc</b> <b>WT: 41.0 ± 1.0gms.</b>			DWG. NO. <b>3002016</b>
				REV <b>A</b>
				SCALE: 2:5
				WT: 41.0 ± 1.0gms.
				SHEET 1 OF 1