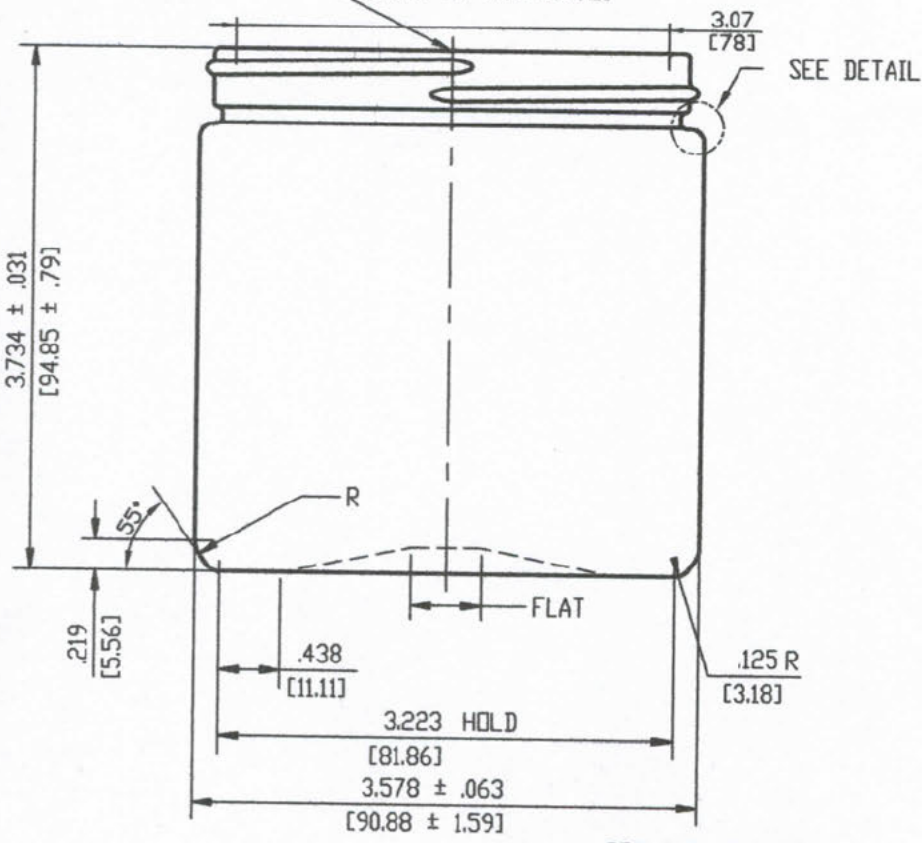
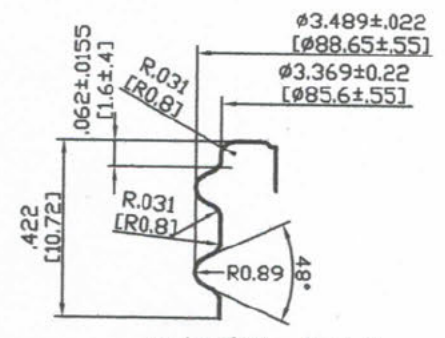


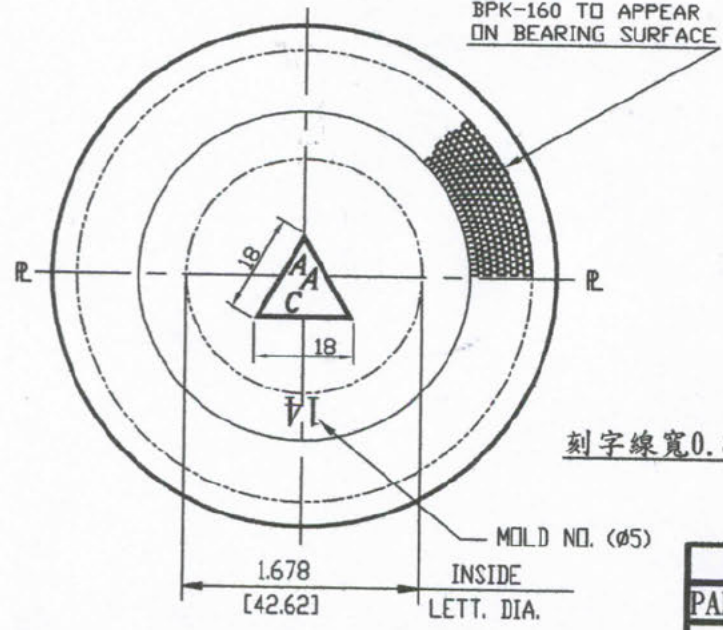
089-0405-R640  
FINISH HT.=.422 [10.72]



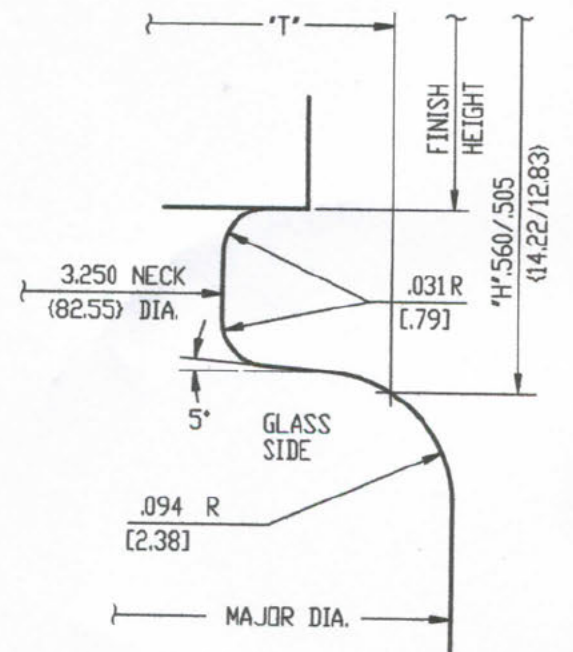
SEE DETAIL



口部詳圖 S=3:1  
PITCH=5.1mm  
WIDTH=如圖  
TURN=1



刻字線寬0.8mmDP



SHOULDER DETAIL  
SCALE: 10 TO 1

T=3.18mm

| SPECIFICATIONS |                                     | 5 |     |       |      |
|----------------|-------------------------------------|---|-----|-------|------|
| WEIGHT         | 283.5 ±14.2 g<br>10 ±0.5 oz         | 4 |     |       |      |
| NET CAP        |                                     | 3 |     |       |      |
| O. FLOW CAP    | 476.7 ±7.4 ml<br>16.12 ±0.25 fl. oz | 2 |     |       |      |
| FILL POINT     | DOWN                                | 1 |     |       |      |
| 1050201        |                                     |   | NO. | 修正 日期 | 修正原因 |

| PART NO.       | MATERIAL | QUANTITY | REMARKS                 |
|----------------|----------|----------|-------------------------|
| EGP2866        |          | -F       |                         |
| 圖號 DRAWING NO. |          |          |                         |
| 製圖 DRAWN       | 才蕙君      |          | 比例 SCALE 1 : 1          |
| 設計 DESING      |          |          | 日期 DATE 2016.02.01      |
| 核對 CHECKED     |          |          | 單位 UNIT mm              |
| 審核 CHECKED     |          |          | 玻璃 GLASS                |
| 核准 APPROVED    |          |          | 瓶口 FINISH 089-0405-R640 |