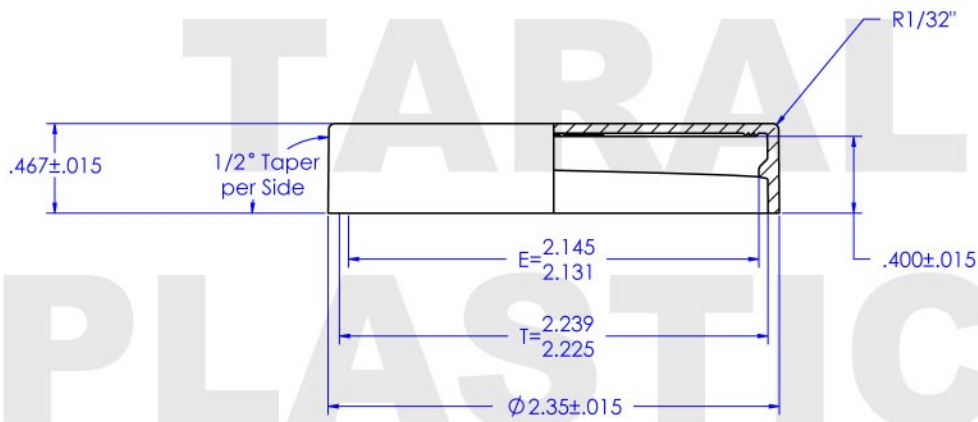
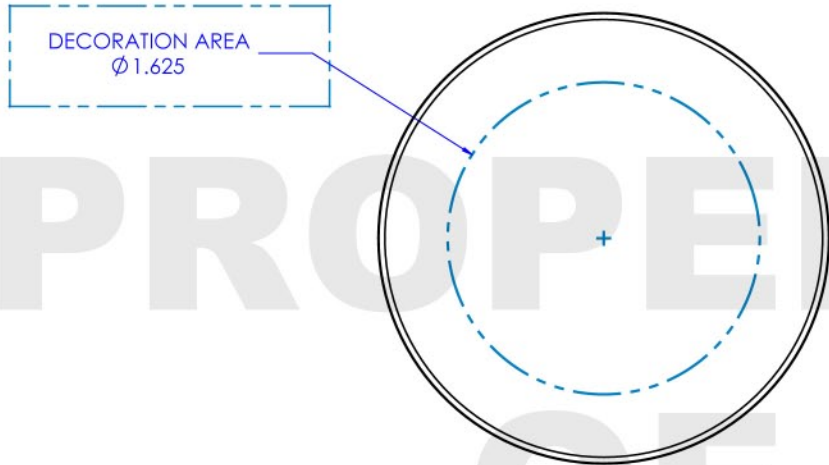


WARNING: PROPRIETARY AND CONFIDENTIAL

THE INFORMATION CONTAINED IN THIS DRAWING IS THE SOLE PROPERTY OF TARAL PLASTICS. ANY UNAUTHORIZED USE, TRANSMISSION, OR REPRODUCTION IN PART OR AS A WHOLE WITHOUT THE WRITTEN PERMISSION OF TARAL PLASTICS IS STRICTLY PROHIBITED.



PROPERTY OF TARAL PLASTICS

| TOLERANCE | | REV. | DATE | DESCRIPTION |
|-----------|------|------|------------|-----------------|
| DIM. | TOL. | A | 01/25/2012 | ADDED WATERMARK |
| .00 | .015 | | | |
| .000 | .010 | | | |

| NAME | DATE |
|--------------------------------|------------|
| W. OTT | 01/13/2012 |
| MATERIAL: PP | |
| APPROX WEIGHT: 6.4 grams | |
| THREAD: "M" STYLE, 6 TPI PITCH | |
| COMMENTS: | |

725 Zwissig Way
Union City, CA 94587
Phone: 866-93-TARAL
www.TaralPlastics.com

PART DESCRIPTION:
58mm-400 Smooth Side and Top Closure

SIZE: **A** PART CODE: 58SS-PP-UC REV. **A**

SCALE: 1:1 DO NOT SCALE DRAWING SHEET 1 OF 1

