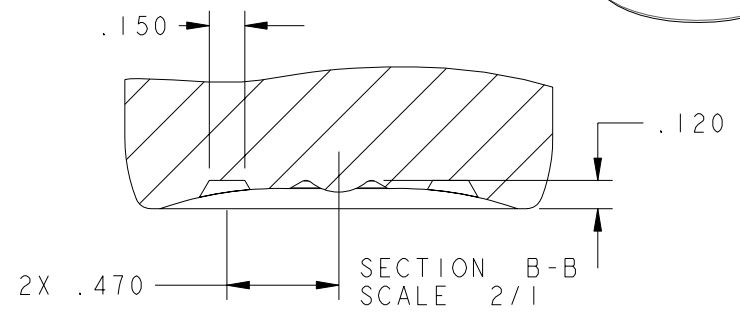
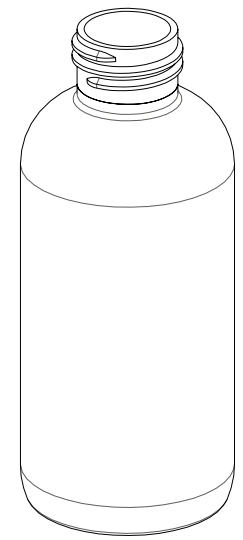
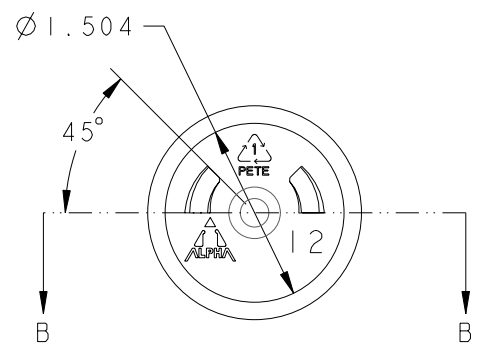



DETAIL A
SCALE 2/1



SECTION B-B
SCALE 2/1



Neck Finish: M24SP410		DISCLAIMER: Alpha Packaging assumes no responsibility for form, fit and function of closures, accessories, and/or shelf life and compatability of intended contents with this bottle.			
©Alpha Packaging, Inc. All measurements are in inches	Min Thk	Color	Weight	Std. Pack	Revisions
	.010	All Colors	14.8 Gms±1	500, Bulk	A MIN WALL THK WAS .015, S.J. B OAH was 4.286, sct. 10/31/06
Neck Dimensions: T = .932±.008 E = .848±.008 H = .646±.015 I = .516 MIN S = .046±.015					Tolerance: Where not shown Decimal ±0.050 Angular ±1°
Overflow Capacity: 135 ml ± 5					Material: PET
				 Alpha Packaging, Inc. (314) 427-4300-(800) 421-4772 Scale: _____ Drawn By: SCT Date: 03-27-01	
				4oz BOSTON ROUND, PET, SP410 4BR24410PET B Approved By: SJ Drawing NO: 4BR1MN24M410	