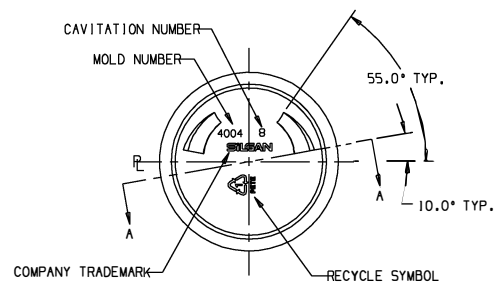
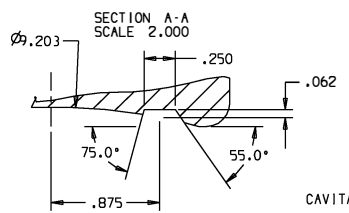
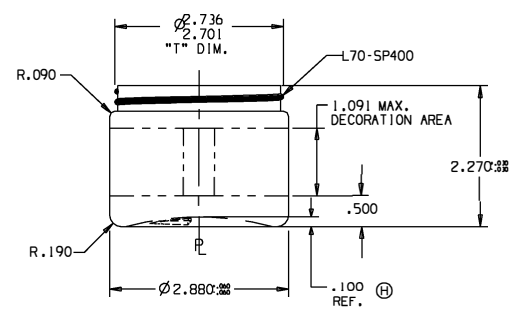
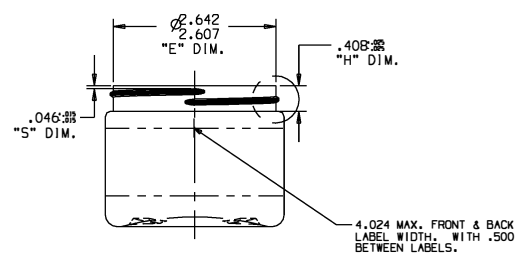
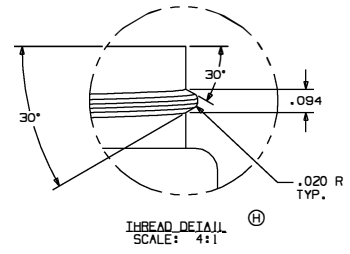
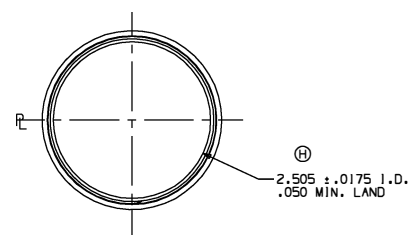


REVISIONS			
LTR	DESCRIPTION	DATE	APPROVED
D	REVISED DESCRIPTION	2/24/02	KENT
E	ADDED LABEL DIM &	2/24/02	KENT
F	ADDED CODE ZOM-45288 & CHART	2/24/02	KENT
G	NOT WAS 235	2/24/02	KENT
H	ADDED CODE, PUSH-UP DIM & THREAD DETAIL/REVISED I.D.	2/24/02	KENT



NOTES :

1) OVERFLOW CAPACITY : 7.10 ± .20 FL.OZ. (210.1 ± 6.0 CC'S.)

2) WEIGHT : 23.4 ± 1.0 GRAMS

3 100M-45426  
 2 100M-45288  
 1 100M-45072  
 CODE CHART

DIMENSIONS SHOWN ARE: <input checked="" type="checkbox"/> AS MOLDED <input type="checkbox"/> AFTER TREAT <input type="checkbox"/> AFTER TREAT & OVEN	DRAWN BY CNM	MATERIAL PET	CUSTOMER
THIS DRAWING HAS BEEN PREPARED BY SILGAN PLASTICS FOR OUR OWN PRODUCTION OF THE ARTICLE SHOWN AND MAY NOT BE COPIED OR UTILIZED BY OTHERS WITHOUT OUR PRIOR WRITTEN CONSENT.	DATE 1/24/00	QUOTE NO. L-287	DESCRIPTION 6 FL. OZ. JAR W/M ROUND
	INFO. D-00-4936-C	REF. DIM. NO. P80089-D	TECHNICAL CENTER 1855 MECA WAY NORCROSS, GA 30069
	CAD US	TOLLING NO. 4004	DRAWING NO. D-00-4936-H
	SCALE FULL	CODE NO. SEE CHART	
		SURF. AREA 32.3 IN2	