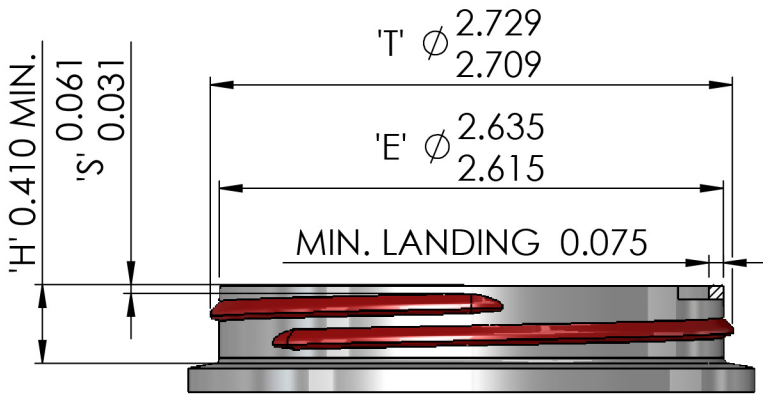


RECOMMENDED CONTAINER DATA

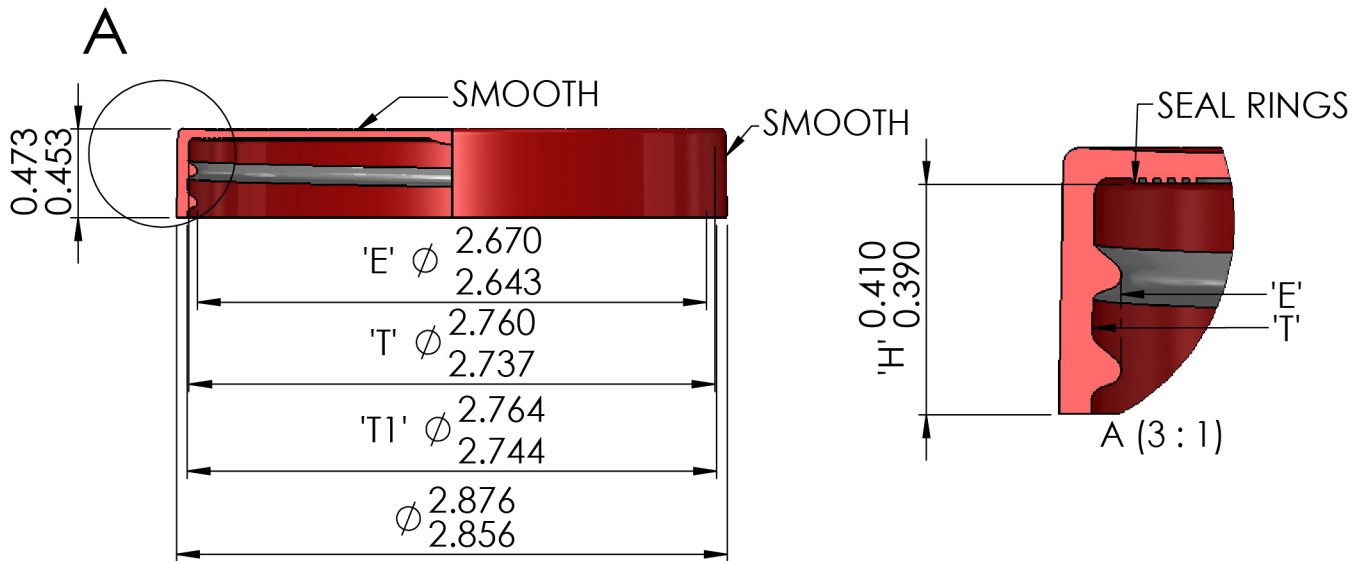
SPEC. No: S-070-16



THREAD DATA

- 1.) 70-400 FINISH
- 2.) 1.125 TURNS THREAD
- 3.) 6 T.P.I. - .166 PITCH
- 4.) L OR M THREAD STYLE

CAP DATA



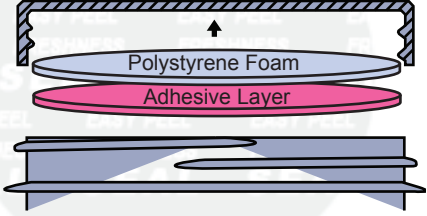
CAP SIZE:	70 MM
MATERIAL:	POLY PRO
WEB DRAWING	
DATE:	9/29/2011
PART DESCRIPTION:	70MM SMOOTH SMOOTH
SPECIFICATION No:	S-070-16

		<i>Innovative Molding, Incorporated</i>	
		1200 Valley House Dr. Ste 100 Rohnert Park, CA 94928 Phone: (707) 238-9250 Fax: (707) 238-9264	
COMPILED BY:	DAW	DRAWN BY:	CSF
REV:	A	STOCK #:	C-70-16

# Uni-Foam<sup>TM</sup> Technical Data Sheet

## PS-113 (Pressure Sensitive)

Revision: PS-113-12022013

<b>Product</b>	PS-113 (Pressure Sensitive)											
<b>Scope</b>	One piece uniform polystyrene foam coated on one side with a specially formulated torque-activated adhesive. (Not approved for use with wet products.)											
<b>Composition</b>	<table border="1"> <thead> <tr> <th>Material</th> <th>Standard</th> <th>Metric</th> </tr> </thead> <tbody> <tr> <td>Polystyrene Foam</td> <td>0.020"</td> <td>0.508 mm</td> </tr> <tr> <td>Adhesive Layer</td> <td>0.002"</td> <td>0.051 mm</td> </tr> </tbody> </table>	Material	Standard	Metric	Polystyrene Foam	0.020"	0.508 mm	Adhesive Layer	0.002"	0.051 mm		
Material	Standard	Metric										
Polystyrene Foam	0.020"	0.508 mm										
Adhesive Layer	0.002"	0.051 mm										
<b>FDA Status:</b> 21 CFR 177.1210	<b>Recommended Storage and Handling:</b> Refer to website											
<b>Drug Master File (DMF):</b> 3948	<b>EU / EP Reg.:</b>											
<b>GTR Oxygen:</b> 2290 cc/m <sup>2</sup> .Day (ASTM D3985)	<b>MVTR:</b> 5.85 g/m <sup>2</sup> .Day (ASTM F1249)											
<b>Print Location (if any):</b>												

Selig materials are compliant with limitation of heavy metals in packaging per CONEG & EU 94/62/EC, article 11.

MSDS's are not required as Selig is not a chemical manufacturer or distributor and our products are 'articles' intended for food packaging per 29 CFR 1910.1200 (HazCom).

The information contained within this product data bulletin is to be used as a general guide in determining which structures are offered for sealing to specific container materials. All of the information which we provide is reliable to the best of our knowledge, but the accuracy thereof is not guaranteed. We suggest that consumers determine suitability for their own application.

[www.seligsealing.com](http://www.seligsealing.com)

Corporate Headquarters  
Selig Sealing Products, Inc.  
342 E Wabash St  
Forrest, IL 61741, USA  
Phone: +1 (815) 785-2100  
Fax: +1 (815) 657-7584

North American Sales  
Selig Sealing Products, Inc.  
184 Shuman Blvd., Suite 310  
Naperville, IL 60563, USA  
Phone: +1 (630) 922-3158  
Fax: +1 (630) 922-8469

European Sales and Manufacturing  
Selig UK, LTD 635-637 Ajax Avenue  
Slough Trading Estate  
Slough Berkshire SL14BH UK  
Phone: +44 (0) 1753 773 000  
Fax: +44 (0) 1753 773 111

Canadian Manufacturing  
Selig Canada, ULC  
145 Edward Street  
Aurora, Ontario Canada, L4G 1W3  
Phone: +1 (905) 727-0114  
Fax: +1 (905) 727-8544

Swiss Manufacturing  
Selig Switzerland LTD  
Bahnhofstrasse 11  
CH-8172 Niederglatt  
Phone: +41 (0) 44 851 50 50  
Fax: +41 (0) 44 851 50 51

