



ZAO «Alco-Naphtha»

Baltiyskoye Shosse. 123, Kaliningrad, 236013, Russia
phone: +7(4012)563-692, fax: +7(4012) 563-711
e-mail: office@ekopet.ru, site: www.ekopet.ru

Polyethylenetererphthalate (PET)

EKÖPET 80

Index name	Units	Specification	Test methods (according technical conditions TY 2226-001-13649021-2011)
Intrinsic viscosity	dl/g	0,80 ± 0,02	IQ-10682 Ph/DCB (50:50) Recalculation Ph/TCeT (60:40)
Melting point	°C	246 ± 2	IQ-10704 (DSC)
Acetaldehyde content	ppm	1,0 Max	IQ-10698
Color number (CIE-LAB) L* b*		82,0 Min - 1 ± 2	IQ-10688
Moisture content	weight %	0,2 Max	IQ-10683
Dust content	ppm	100 Max	IQ-10702
Pellets weight	g/100 pcs	1,6 ± 0,2	IQ-10692

Remark: EKÖPET 80 BB – material is packed in **big-bag**, weight net 1050±5 kg.

Upon agreement with the Buyer EKÖPET 80 to be supplied with other type of packaging to ensure the safety of the quality and quantity of PET resin during transportation and storage.



DRY COLOR
AND CONCENTRATES
FOR PLASTICS

COLORCO INC., 1261 W. Elizabeth Avenue, Linden, New Jersey 07036 Tel. 908-862-3011 Fax 908-862-7443
Website: www.colorco-flo.com E-mail: colorco@colorco-flo.com and colorco2@colorco-flo.com

TECHNICAL DATA SHEET

Customer: Pretium Packaging

Color No.: 95435-PETC Color Name: AMBER L/D Ratio: 50/1

Customer Code: N/A L/D Resin: PET STD Lot: L-59838

SPECIFICATIONS:

This formulation conforms with FDA approval under CFR Title 21 178.3297.

Carrier(s) Type: Bottle Grade PET

Carrier Intrinsic Viscosity: 0.8

Pellet Size: (Length 0.093" +/- 0.021", Diameter 0.093" +/- 0.021")

Pellet/gm count: (65 +/- 10)

ADDITIVES (AS PER FORMULA):

Pigment/Dye Loading: 10%

Calcium Stearate: 1.0%

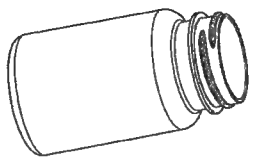
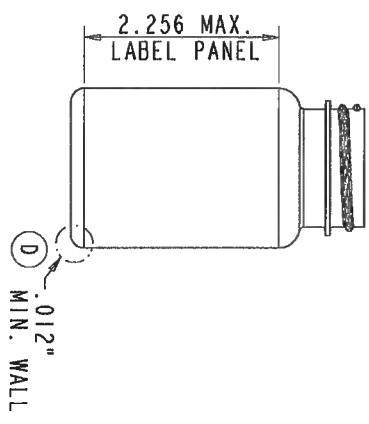
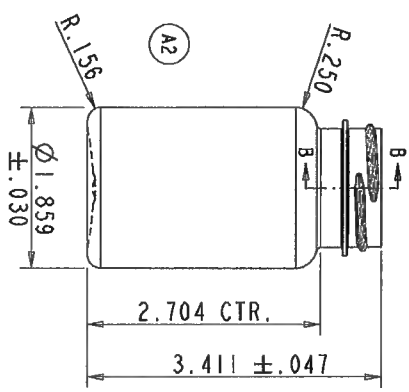
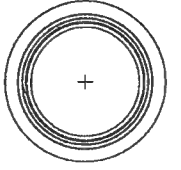
COLORIMETER VALUES:

D65, 10 DEGREES CIE LAB, Delta E tolerance \leq 1.0

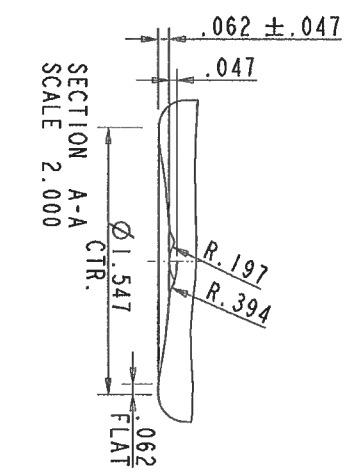
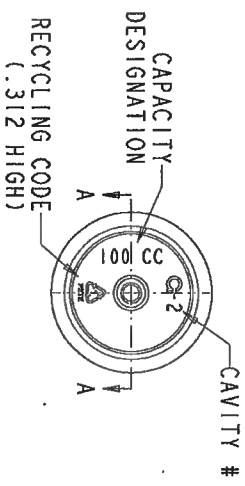
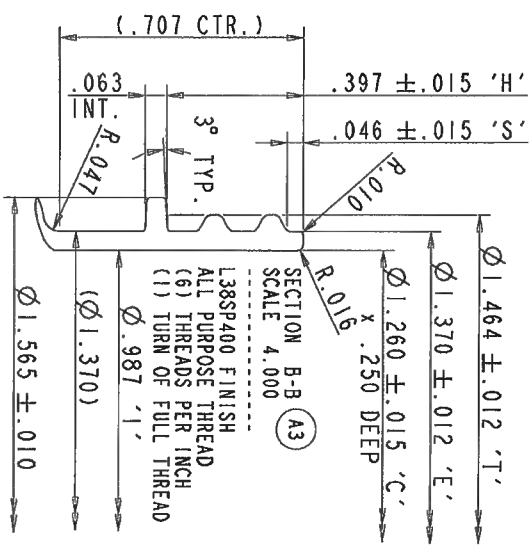
Visual to Standard chips

Issued By: Christopher Bates

Date: 09/01/15



SCALE 0.750



- AI NOTES:**
- 1 - MOLD NO. NB-400118
 - 2 - MAX. VARIATION IN AVERAGE DIAMETER BETWEEN TOP AND BOTTOM NOT TO EXCEED .010
 - 3 - ALL DIMENSIONS APPLY AS MOLDED
 - 4 - MAXIMUM OUT OF ROUNDNESS ON BODY OF CONTAINER NOT TO EXCEED .015.
 - 5 - .012" MIN. WALL THICKNESS.

REV	DATE	BY	REVISION
091710		RRJ	THIS DRAWING HAS BEEN REDRAWN FROM SPP-1026-C-PD.
A	101710	RRJ	AI REMOVED NOTES 5 & 6, A2 REVISED DIM'S 2.412 & 1.284, A3 REVISED THREAD DETAIL.
B	092415	ES	AI REBORN FROM 3196-0203-A.
C	050917	ES	UPDATED PUSHUP ENGRAVING.
D	081518	ES	ADDED MIN. WALL LOCATION & NOTE 5.
E	112718	ES	WEIGHT WAS 14 ± GRAMS.

19.29 SQUARE INCHES	5.19 SQUARE INCHES	16.0 ±.10 GRAMS	PET	123.9 ±4.5 cc (4.19 ±.15 fl oz)
SURFACE AREA BELOW BASE OF NECK	AREA AT PART LINE BELOW BASE OF NECK		OVERFLOW CAPACITY	

RESTRICTED, CONFIDENTIAL DOCUMENT

NOT TO BE REPRODUCED OR TRANSMITTED IN ANY FORM OR BY ANY MEANS, ELECTRONIC OR MECHANICAL, INCLUDING PHOTOCOPYING, RECORDING, OR BY ANY INFORMATION STORAGE AND RETRIEVAL SYSTEM, WITHOUT THE WRITTEN PERMISSION OF THE COMPANY. THIS DRAWING IS THE PROPERTY OF THE COMPANY AND IS LOANED TO YOU FOR YOUR INFORMATION ONLY. IT IS NOT TO BE REPRODUCED OR TRANSMITTED IN ANY FORM OR BY ANY MEANS, ELECTRONIC OR MECHANICAL, INCLUDING PHOTOCOPYING, RECORDING, OR BY ANY INFORMATION STORAGE AND RETRIEVAL SYSTEM, WITHOUT THE WRITTEN PERMISSION OF THE COMPANY. THIS DRAWING IS THE PROPERTY OF THE COMPANY AND IS LOANED TO YOU FOR YOUR INFORMATION ONLY. IT IS NOT TO BE REPRODUCED OR TRANSMITTED IN ANY FORM OR BY ANY MEANS, ELECTRONIC OR MECHANICAL, INCLUDING PHOTOCOPYING, RECORDING, OR BY ANY INFORMATION STORAGE AND RETRIEVAL SYSTEM, WITHOUT THE WRITTEN PERMISSION OF THE COMPANY.

FILE NAME: XXXX_100cc-STR-SIDE (13-073-01-E)

SIZE DRAWN BY: C RRJ DWG NO: 3196-0203-E

DATE: 99-11-2010 SHEET 1 OF 1

SCALE: 1.4:1

Performance 484-885-0669

100 cc CT ROUND WIDE MOUTH PACKER L38SP400 FINISH